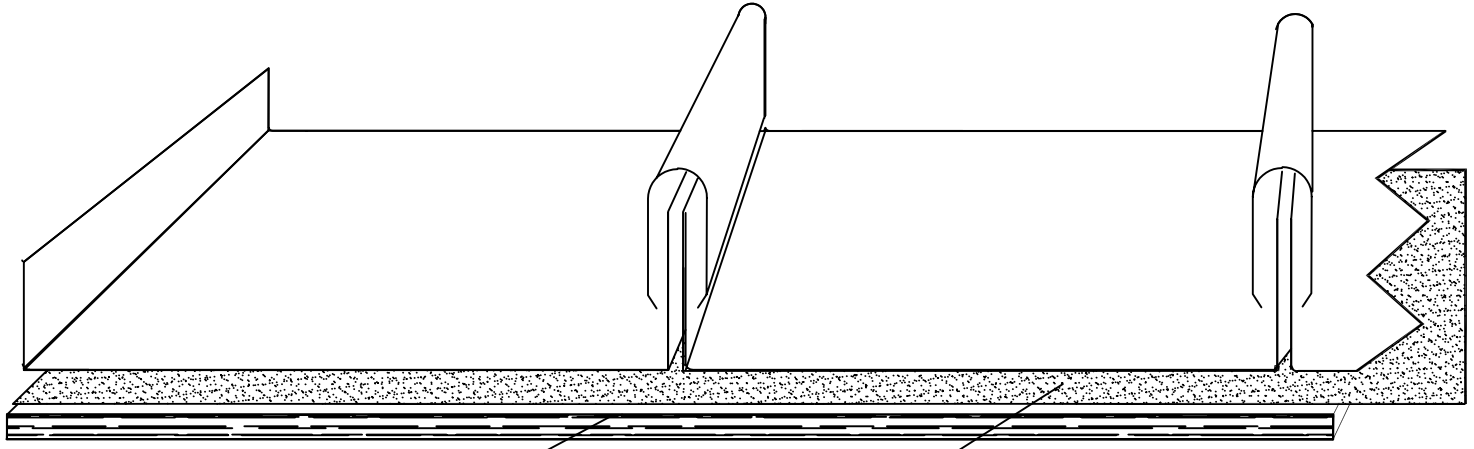
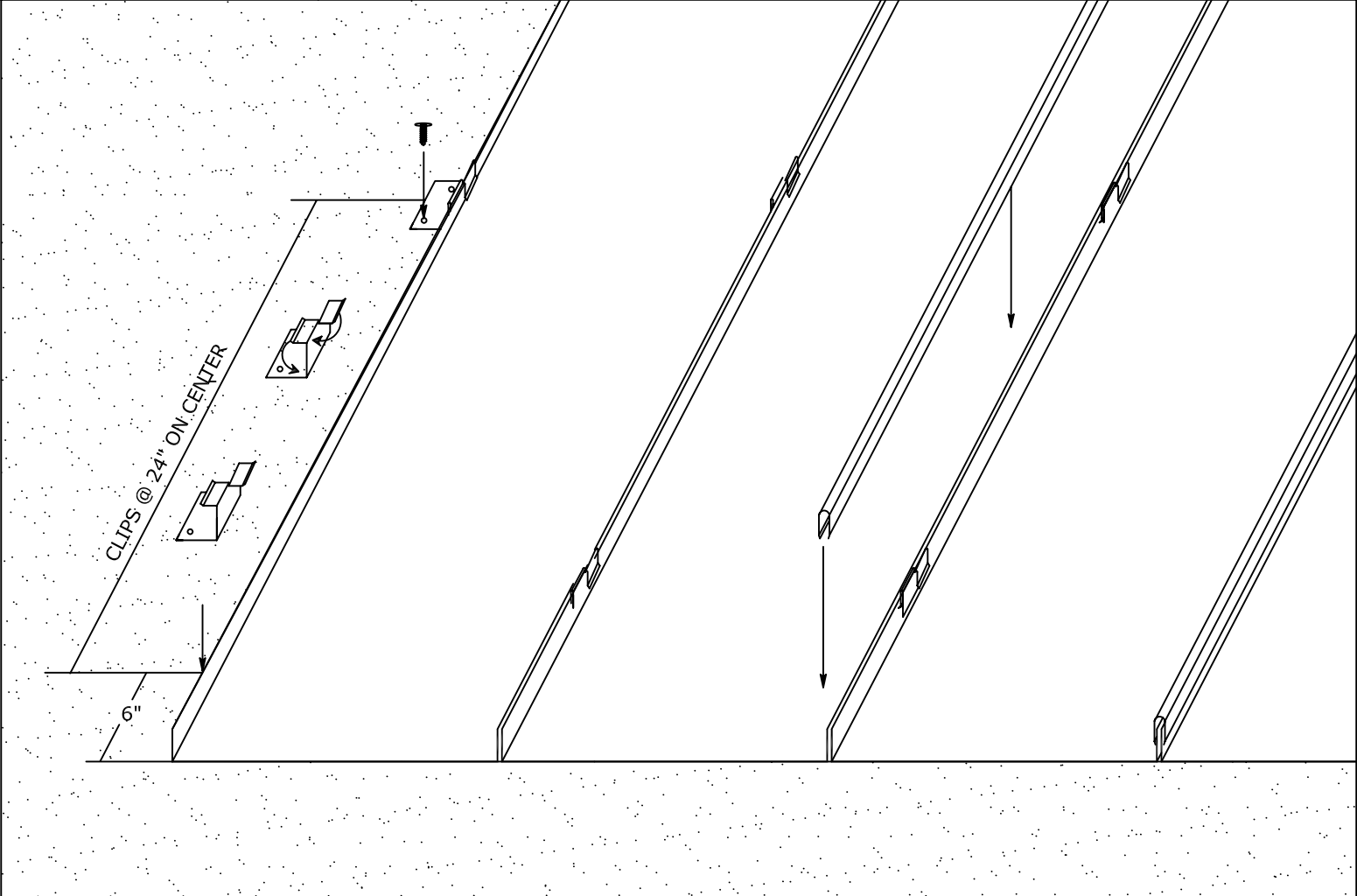


HT-150 STANDING SEAM PANEL



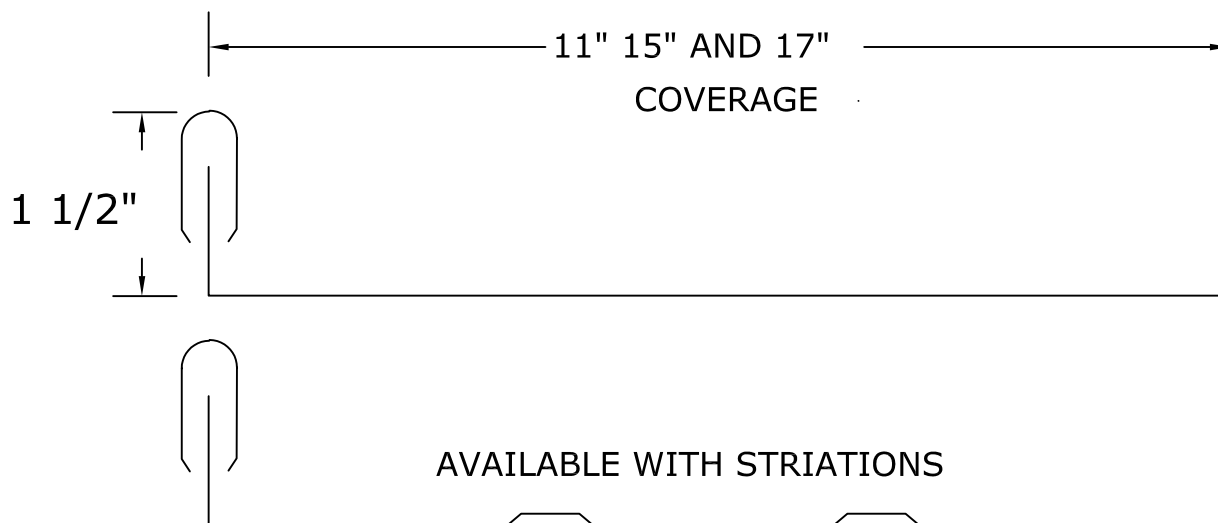
SOLID DECKING REQUIRED

30# FELT (MINIMUM)





HT-150 STANDING SEAM PANEL



-INSTALLATION-

HT-150 IS INSTALLED ONLY OVER SOLID DECKING

- 1- THE FIRST PANEL IS PLACED ON THE ROOF AT THE DESIRED START POINT.
- 2- THE CLIP IS PLACED DIRECTLY BESIDE THE PANEL WITH ONE "WING" OF THE CLIP FOLDED OVER THE VERTICAL LEG OF THE PANEL. THE FIRST CLIP IS PLACED 6" FROM THE EAVE. FROM THERE, THEY ARE PLACED EVERY 2' ON CENTER. EACH CLIP IS FASTENED WITH PAN HEAD SCREWS.
- 3- AT THIS POINT, THE NEXT PANEL IS PLACED AND THE OPPOSITE "WING" OF THE CLIP IS FOLDED DOWN OVER THE VERTICAL LEG OF THIS PANEL.
- 4- THE BATTEN IS THEN PLACED OVER THE SEAM. IT IS PRESSED DOWN UNTIL THE CLIPS SNAP INTO PLACE.
- 5- THE NEXT PANEL IS PLACED ON THE ROOF AND THE PROCESS IS REPEATED.

-NOTES-

- HT-150 MAY BE INSTALLED IN EITHER DIRECTION. THIS MAKES IT A PERFECT CHOICE FOR COMPLICATED JOBS.
- SOLID DECKING IS REQUIRED FOR THIS PANEL
- HT-150 HAS A UL-90 RATING.
- IT IS PROTECTED BY A KYNAR 500/HYLAR 5000 PAINT SYSTEM.
- HT-150 IS MANUFACTURED FROM 24 GAUGE STEEL.