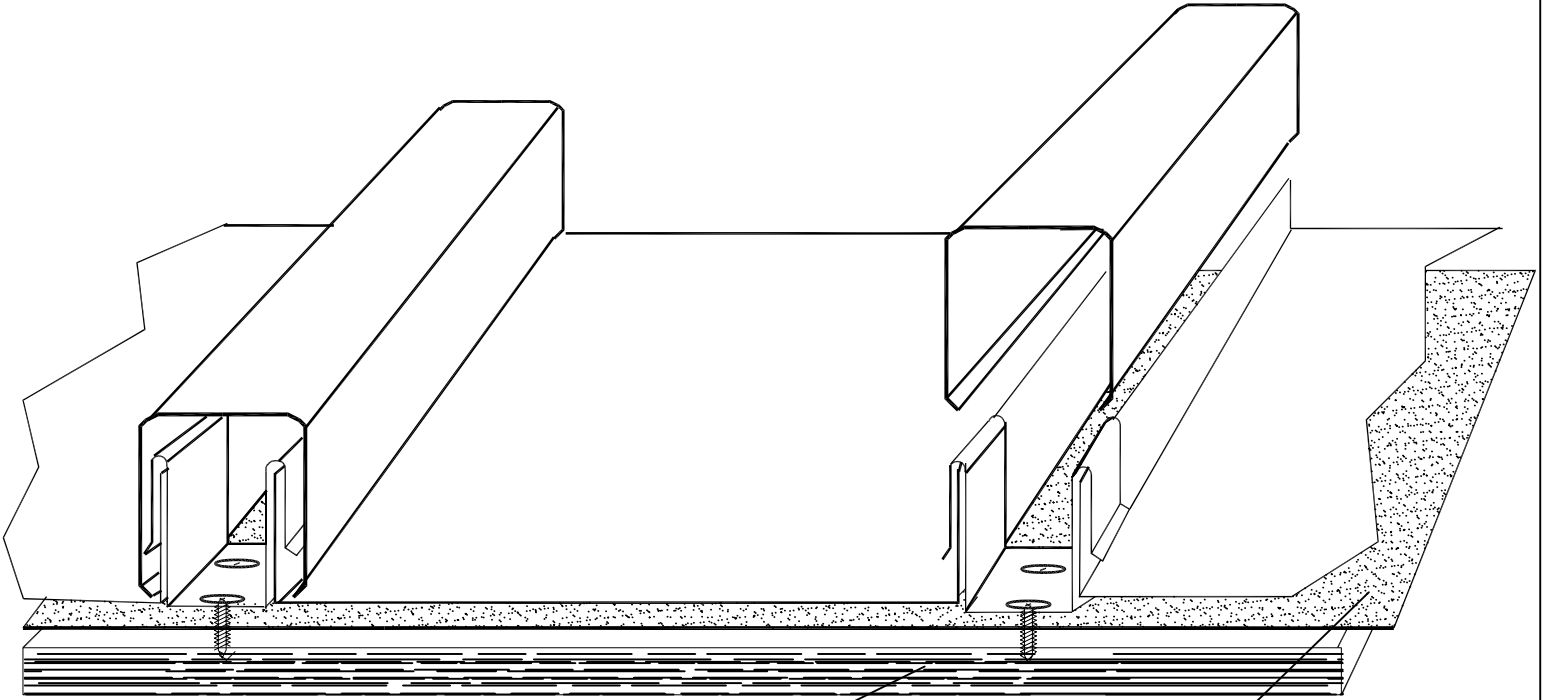
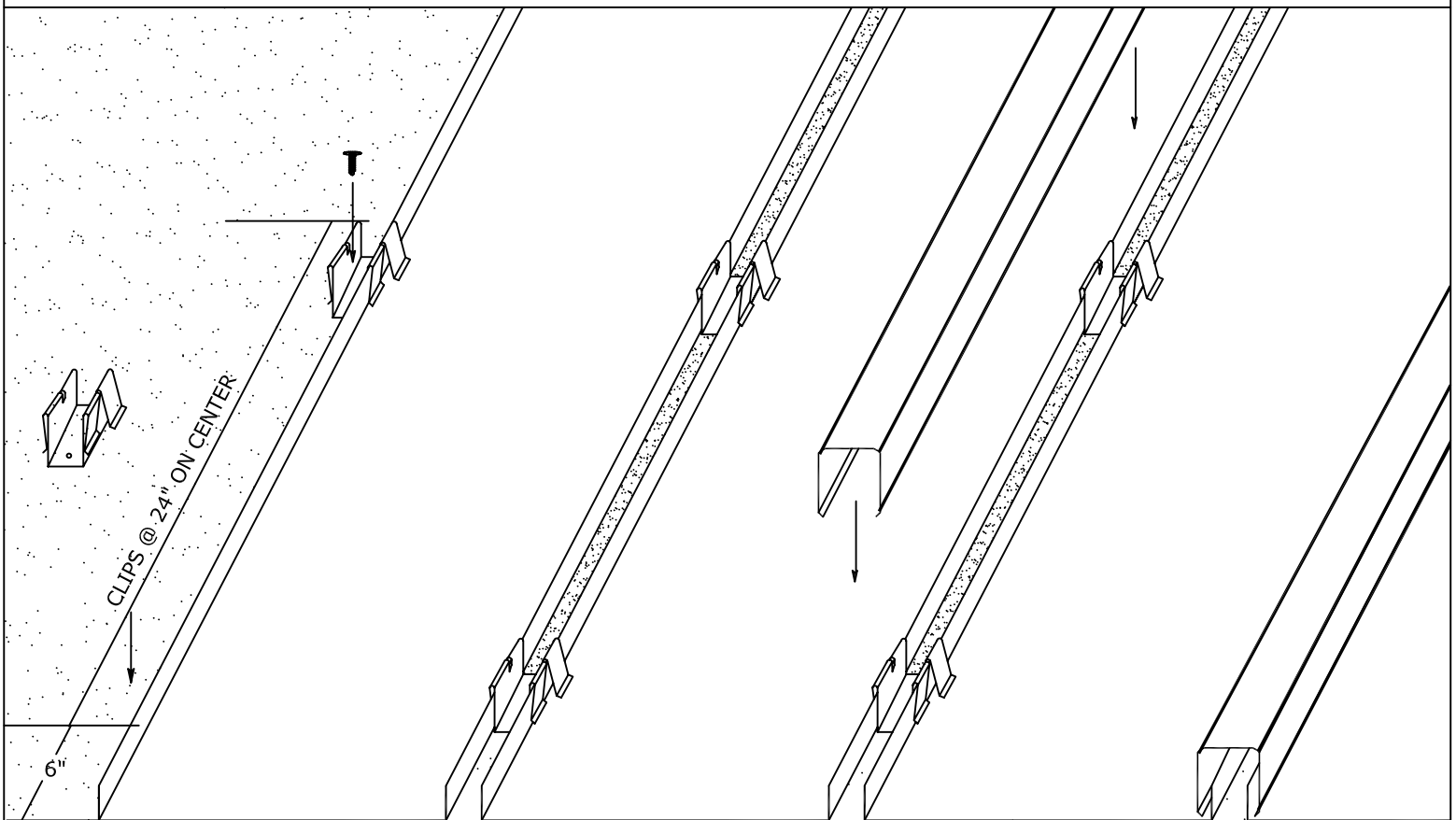


# CLASSIC BATTEN STANDING SEAM PANEL



SOLID DECKING REQUIRED

30# FELT (MINIMUM)

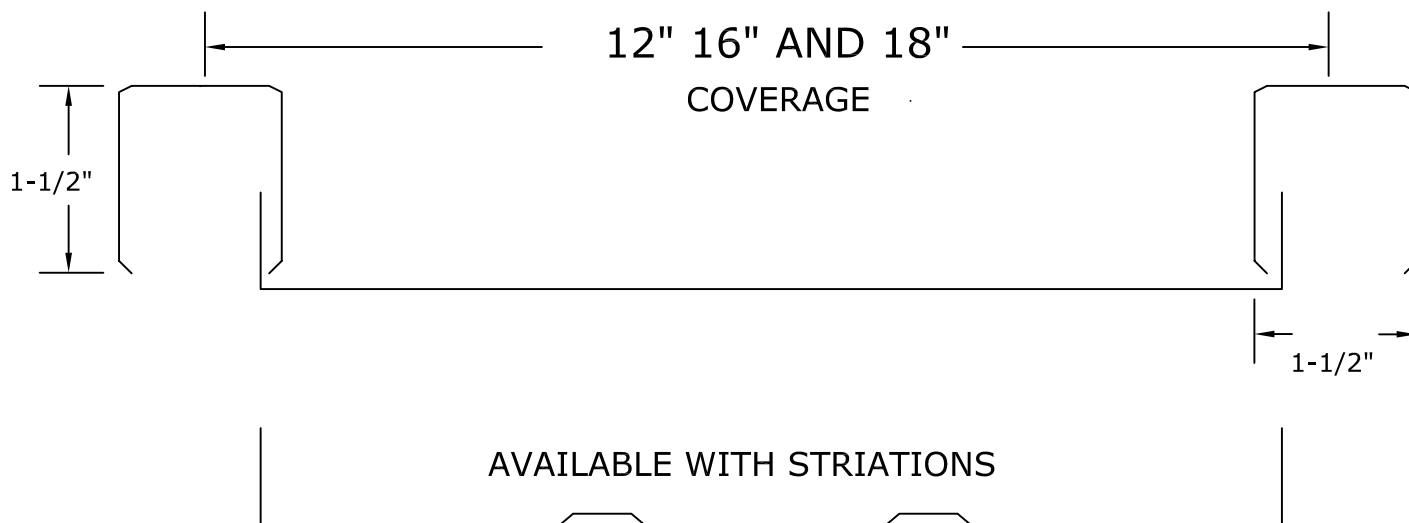


CLIPS @ 24" ON CENTER

6"



## CLASSIC BATTEN STANDING SEAM PANEL



### -INSTALLATION-

CLASSIC BATTEN IS INSTALLED ONLY OVER SOLID DECKING

- 1- THE FIRST PANEL IS PLACED ON THE ROOF AT THE DESIRED START POINT.
- 2- THE FIRST PANEL IS PLACED ON THE ROOF AT THE DESIRED START POINT. THE SECOND PANEL IS PLACED PARALLEL TO THE FIRST WITH APPROXIMATELY 7/8" BETWEEN THEM.
- 3- AT THIS POINT, THE NEXT PANEL IS PLACED AND THE OPPOSITE "WING" OF THE CLIP IS FOLDED DOWN OVER THE VERTICAL LEG OF THIS PANEL.
- 4- THE BATTEN IS THEN PLACED OVER THE SEAM. IT IS PRESSED DOWN UNTIL THE CLIPS SNAP INTO PLACE.
- 5- THE NEXT PANEL IS PLACED ON THE ROOF AND THE PROCESS IS REPEATED.

### -NOTES-

- CLASSIC BATTEN MAY BE INSTALLED IN EITHER DIRECTION.
- SOLID DECKING IS REQUIRED FOR THIS PANEL
- CLASSIC BATTEN HAS A UL-90 RATING.
- IT IS PROTECTED BY A KYNAR 500/HYLAR 5000 PAINT SYSTEM.
- CLASSIC BATTEN IS MANUFACTURED FROM 24 GAUGE STEEL.