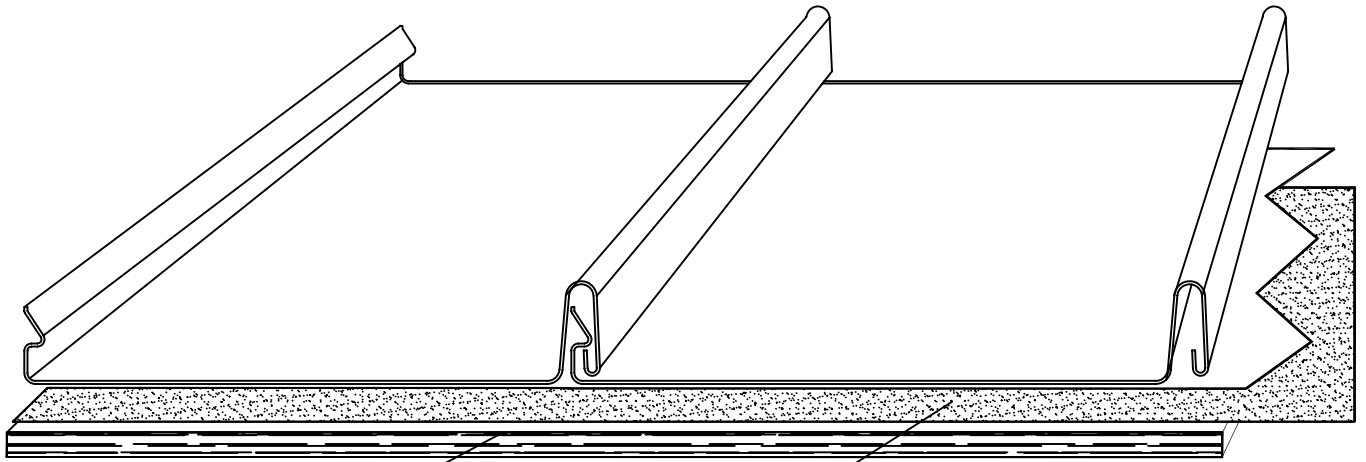


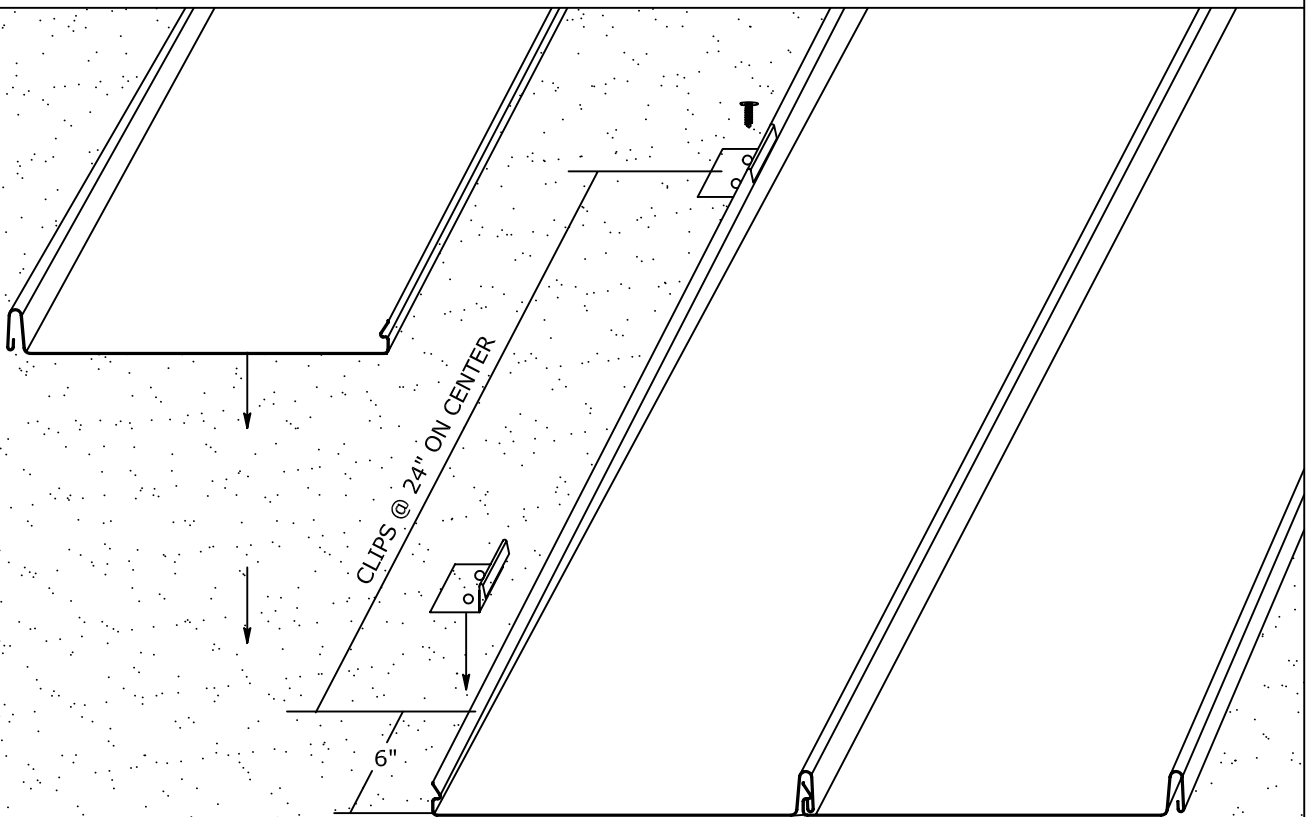
# SS-24

## STANDING SEAM 24 GAUGE



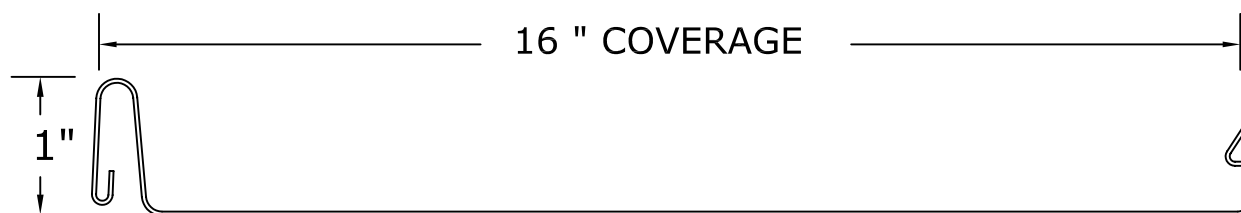
SOLID DECKING REQUIRED

30# FELT (MINIMUM)





## SS-24 STANDING SEAM PANEL



## -INSTALLATION-

SS-24 IS INSTALLED ONLY OVER SOLID DECKING

- 1- THE FIRST PANEL IS PLACED ON THE ROOF AT THE DESIRED START POINT.
- 2- THE CLIP IS PLACED DIRECTLY BESIDE THE PANEL. THE TOP OF THE CLIP IS PLACED OVER THE MALE LEG OF THE SS-24 PANEL. THE FIRST CLIP IS PLACED 6" FROM THE EAVE. FROM THERE, THEY ARE PLACED EVERY 2' ON CENTER. EACH CLIP IS FASTENED WITH PAN-HEAD SCREWS.
- 3- THE NEXT PANEL IS PLACED ON THE ROOF AND THE PROCESS IS REPEATED.

## -NOTES-

- SOLID DECKING IS REQUIRED FOR THIS PANEL
- SS-24 IS AN INTEGRAL PANEL. IT IS A FASTER INSTALLATION WITHOUT BATTENS. IT CAN ONLY BE INSTALLED IN ONE DIRECTION.
- IT IS PROTECTED BY A KYNAR 500/HYLAR 5000 PAINT SYSTEM.
- SS-24 IS MANUFACTURED FROM 24 GAUGE STEEL.