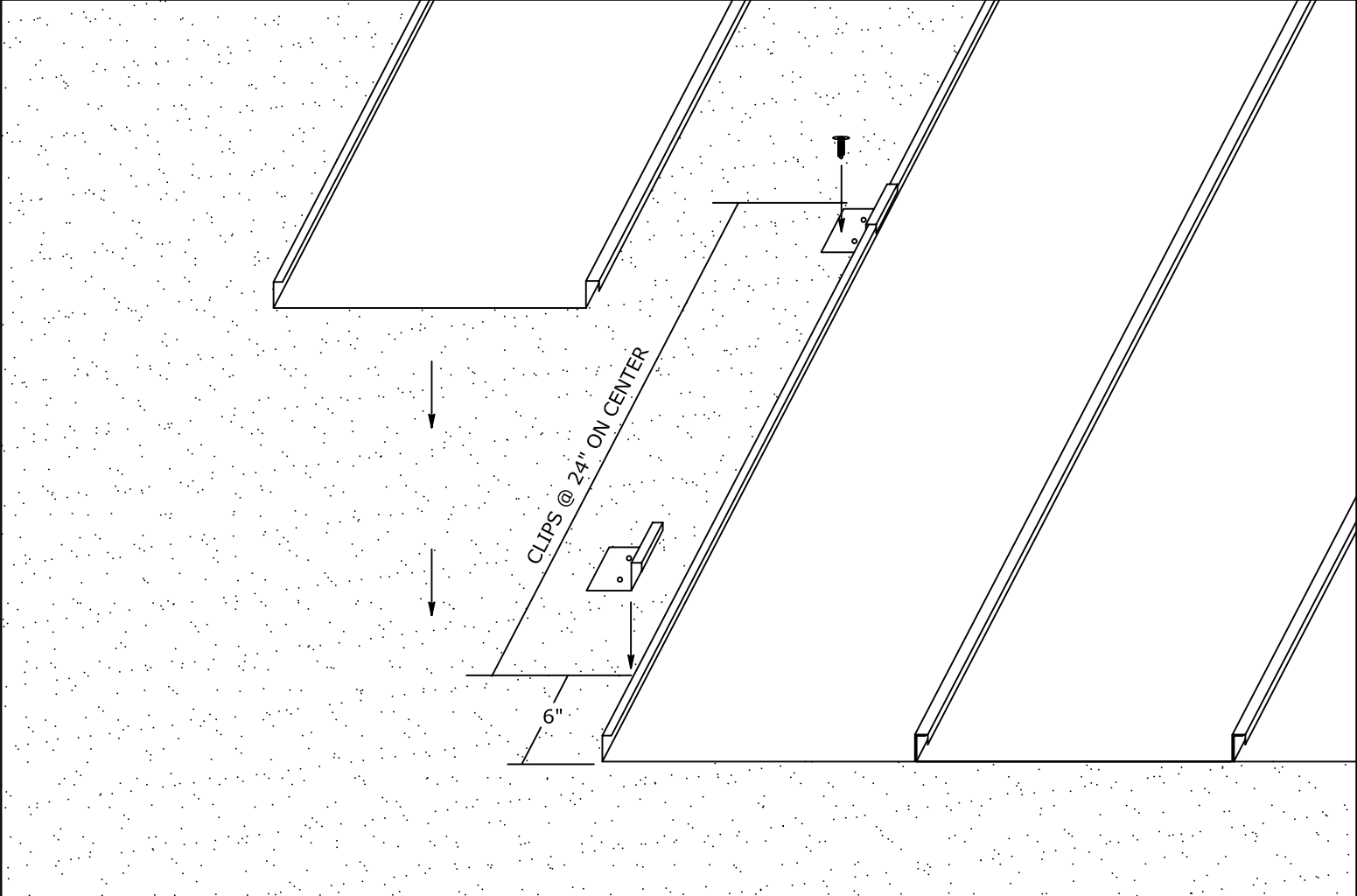
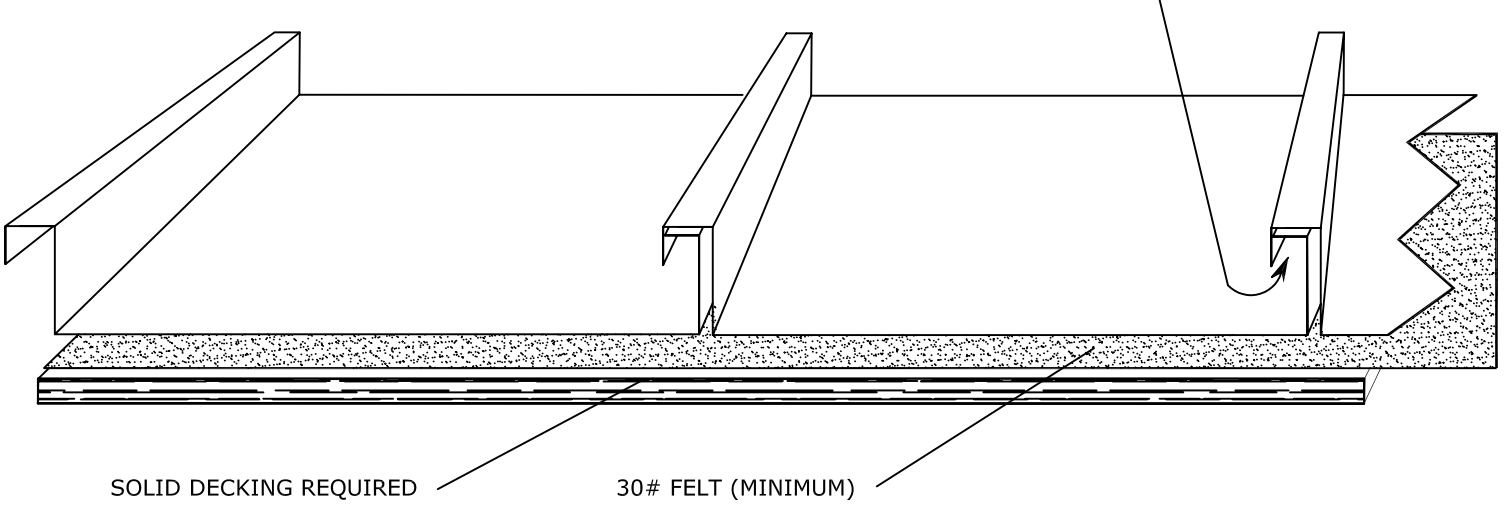


MS-16

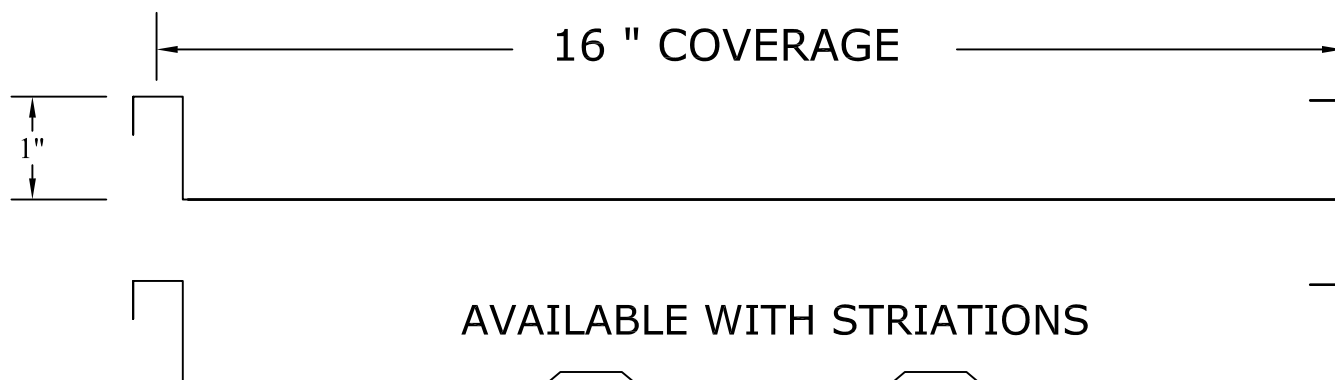
MECHANICALLY SEAMED 16"

24 GAUGE ***PANEL MUST BE SEAMED IN THE FIELD





MS-16 STANDING SEAM PANEL



THIS PANEL IS SEAMED IN THE FIELD AFTER INSTALLATION

-INSTALLATION-

MS-16 IS INSTALLED ONLY OVER SOLID DECKING

- 1- THE FIRST PANEL IS PLACED ON THE ROOF AT THE DESIRED START POINT.
- 2- THE CLIP IS PLACED DIRECTLY BESIDE THE PANEL. THE FIRST CLIP IS PLACED 6" FROM THE EAVE.
FROM THERE, THEY ARE PLACED EVERY 2' ON CENTER. EACH CLIP IS FASTENED WITH PAN HEAD SCREWS.
- 3- AT THIS POINT, THE NEXT PANEL IS PLACED AND PANEL CAN BE CLOSED IN THE FIELD WITH A SEAMER.
- 4- THE NEXT PANEL IS PLACED ON THE ROOF AND THE PROCESS IS REPEATED.

-NOTES-

- MS-16 MAY ONLY BE INSTALLED ON ONE DIRECTION.
- SOLID DECKING IS REQUIRED FOR THIS PANEL
- IT IS PROTECTED BY A KYNAR 500/HYLAR 5000 PAINT SYSTEM.
- MS-16 IS MANUFACTURED FROM 24 GAUGE STEEL.