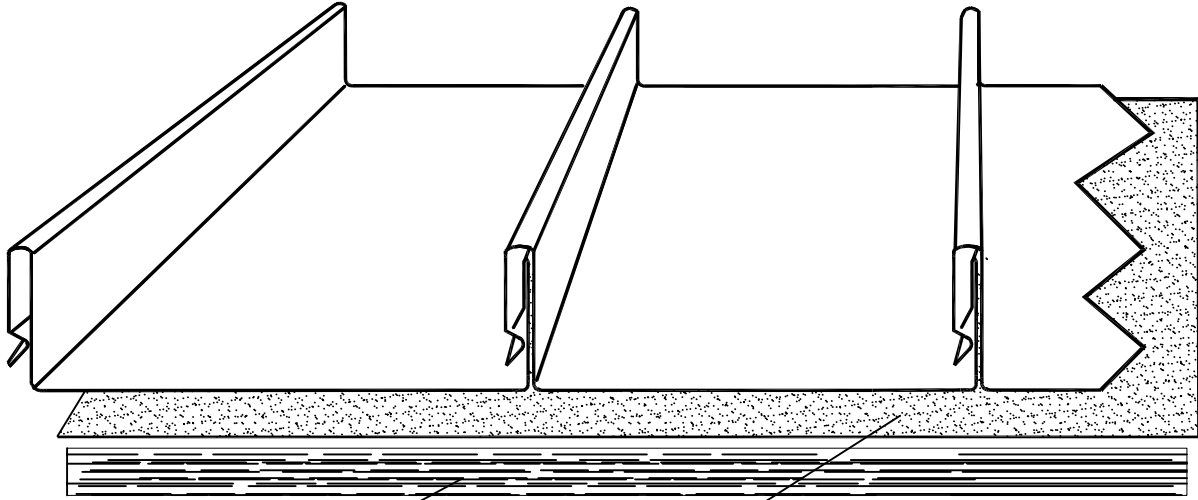


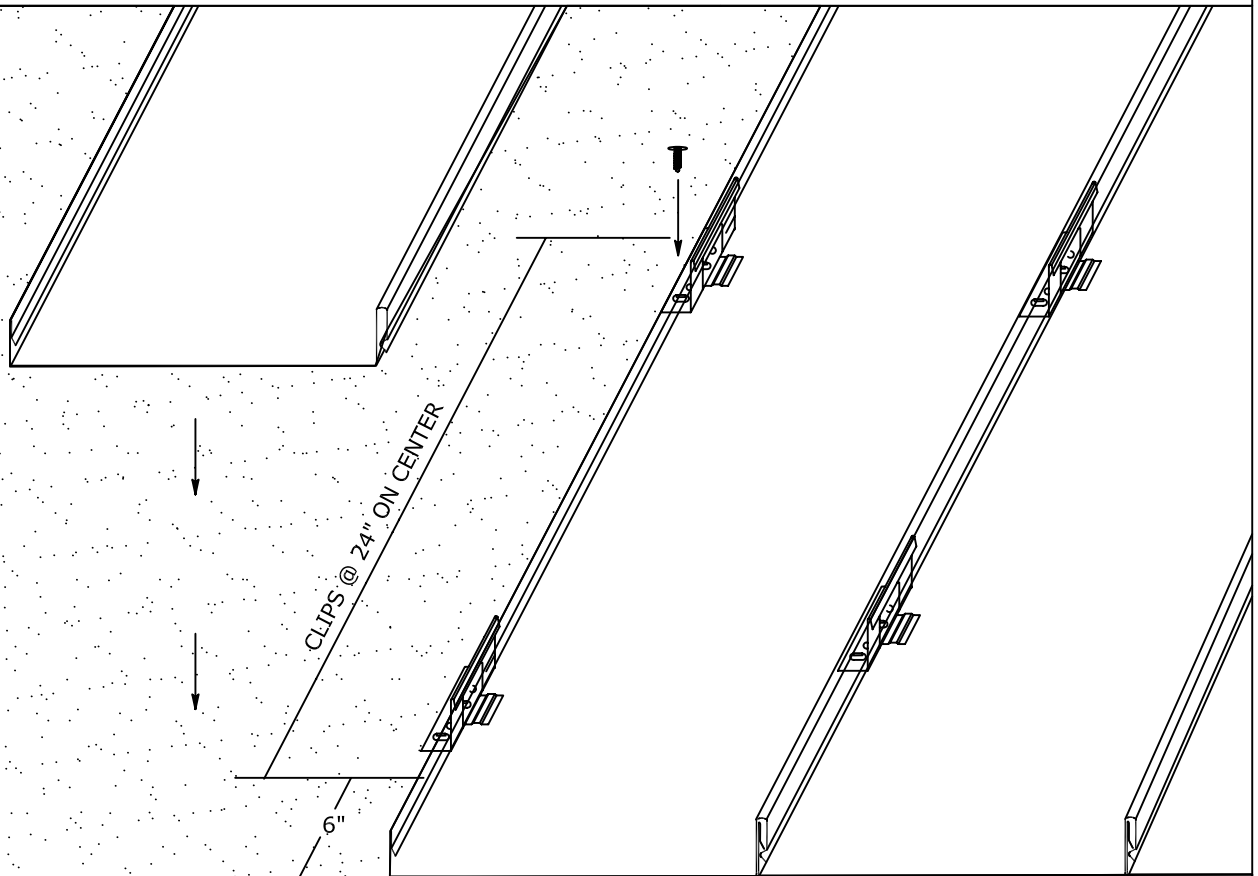
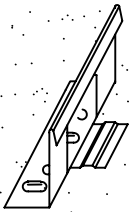
# EZ-LOC STANDING SEAM PANEL



SOLID DECKING OR OPEN PURLINS

30# FELT (MINIMUM)

UL-90 CLIP SHOWN

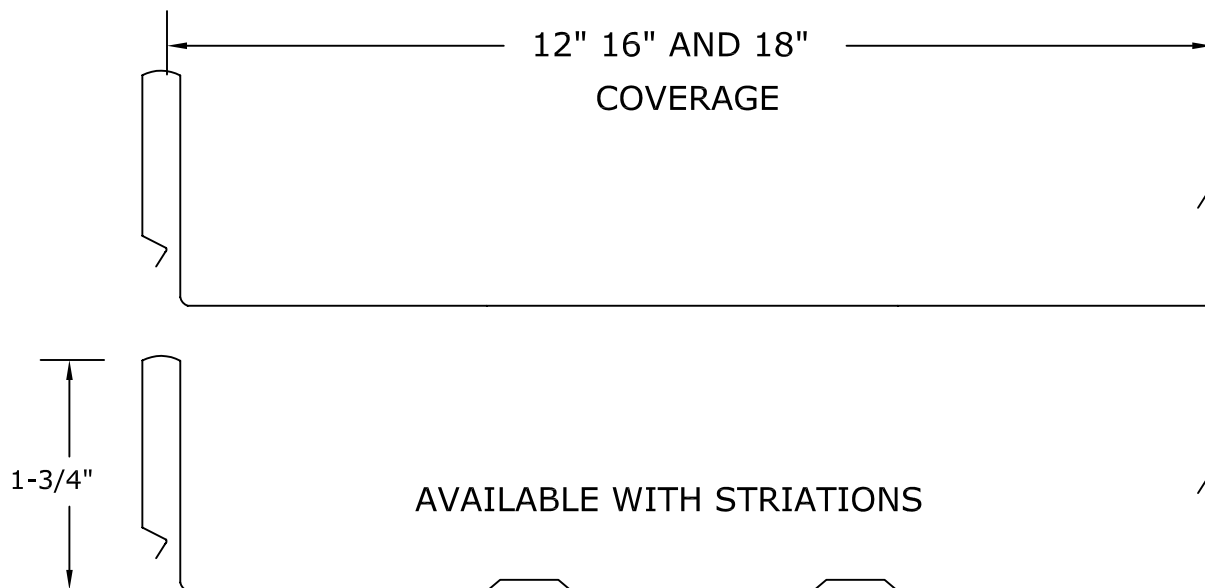


CLIPS @ 24" ON CENTER

6"



## EZ-LOC STANDING SEAM PANEL



## -INSTALLATION-

EZ-LOC MAY BE INSTALLED OVER SOLID DECKING OR OPEN PURLINS.

- 1- THE FIRST PANEL IS PLACED ON THE ROOF AT THE RAKE EDGE WITH THE FEMALE SIDE OF THE PANEL FACING THE OUTSIDE OF THE ROOF.
- 2- THE FIRST CLIP IS PLACED 6" FROM THE EAVE OF THE ROOF. THE TOP OF THE CLIP IS PLACED OVER THE MALE LEG OF THE EZ-LOC PANEL. IT IS THEN FASTENED TO THE ROOF WITH PAN-HEAD SCREWS. THE FOLLOWING CLIPS WILL BE PLACED AT 2' ON CENTER.
- 3- THE NEXT PANEL WILL BE INSTALLED BY PLACING THE FEMALE SIDE OF THE PANEL OVER THE MALE LEG OF THE PANEL THAT'S ALREADY INSTALLED. IT WILL BE PRESSED DOWN UNTIL THE PANEL SNAPS INTO POSITION.
- 4- THE CLIPS ARE THEN ATTACHED TO THIS PANEL AND THE PROCESS IS REPEATED.

## -NOTES-

- EZ-LOC IS A STRUCTURAL PANEL, IT CAN BE INSTALLED OVER OPEN PURLINS AS WELL AS A SOLID DECK.
- IF A SOLID DECK IS USED, 30-LB MIN. FELT IS REQUIRED.
- EZ-LOC IS AN INTEGRAL PANEL. IT IS A FASTER INSTALLATION WITHOUT BATTENS. IT CAN ONLY BE INSTALLED IN ONE DIRECTION.
- IT IS PROTECTED BY A KYNAR 500/HYLAR 5000 PAINT SYSTEM, ALSO AVAILABLE IN ACRYLUME.
- EZ-LOC IS MANUFACTURED FROM 24 GAUGE STEEL, .032 ALUMINUM, AND 16 OZ. COPPER.