

INSTALLATION MANUAL

FOR CMS EXPOSED FASTENER PANEL SYSTEMS



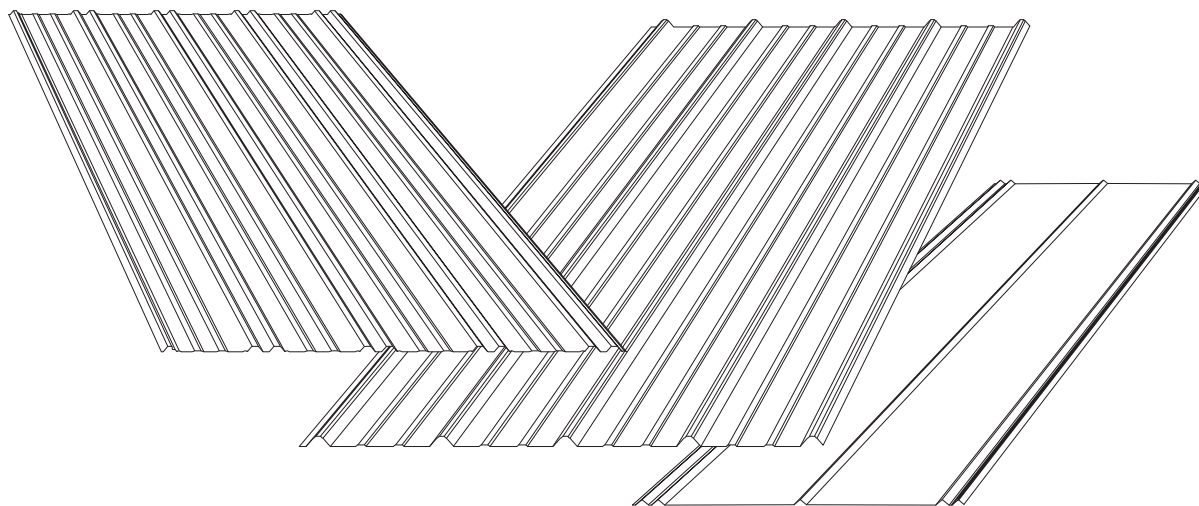
RIB LOC[®]

DRI LOC[®]

5V[®]



Details, Dimensions, Installation Instructions and Technical Data



www.coastalmetalservice.com

Quality Assured. Top to Bottom, Front to Back, Start to Finish!



NOTES





INTRODUCTION



RIB LOC[®], DRI LOC[®] and 5V[®] are all exposed fastener panels which allow for screws to be installed through the outside of the panel to firmly attach it to the substructure. This is a reliable system that is available in 29 gauge, 26 gauge and 24 gauge steel. All panels may be installed over open purlins or over solid decking. Refer to the CMS brochure or contact your local distributor for available colors.

The RIB LOC[®] and 5V[®] Panels listed in this instruction manual have been awarded the UL90 classification by Underwriters Laboratories Inc. This is not a wind speed rating, rather it is a measure of wind uplift pressure. Class 90 represents the highest wind uplift pressure test of 105psf (pounds per square foot) which has been tested at wind speeds in excess of 170 mph. Therefore, in most circumstances, CMS panels will meet local building codes for high wind speeds. Additional fasteners may be required in excess of normal recommendations due to the structure's design and or location. CMS recommends the use of UL Construction No. 453 and Construction No. 560 for proper installation of RIB LOC[®] and 5V[®] panels in order to maintain a Class 90 installation. The instructions in this manual follow the recommendations listed in these documents.

CAUTION

Installation over ACQ pressure treated lumber is discouraged due to the corrosive nature of the chemicals used to treat the lumber. Water run-off from ACQ lumber must not be allowed to come in contact with metal panels. Proper precautions must be taken if ACQ is to be used.

The instructions outlined in this installation manual are recommendations based on proven construction practices. They are not intended to cover all situations, designs or building codes. Consult with local building officials to determine the best installation procedures for your project.



I. TABLE OF CONTENTS _____ PAGE 2

II. EXPOSED FASTENER PANELS

RIB LOC[®] _____ PAGE 3

DRI LOC[®] _____ PAGE 4

5V[®] _____ PAGE 5

III. FLASHING AND ACCESSORIES

TRIM LOCATIONS _____ PAGE 6

CLOSURES _____ PAGE 7

PIPE BOOTS _____ PAGE 8

UNIVERSAL RIDGE CAP _____ PAGE 9

SINGLE SLOPE RIDGE CAP _____ PAGE 10

VALLEY _____ PAGE 11

EAVE TRIM _____ PAGE 12

RESIDENTIAL EAVE TRIM _____ PAGE 13

RESIDENTIAL GABLE _____ PAGE 14

GABLE TRIM _____ PAGE 15

ENDWALL _____ PAGE 16

SIDEWALL _____ PAGE 17

TRANSITION _____ PAGE 18

GAMBREL TRIM _____ PAGE 19

INSIDE CORNER _____ PAGE 20

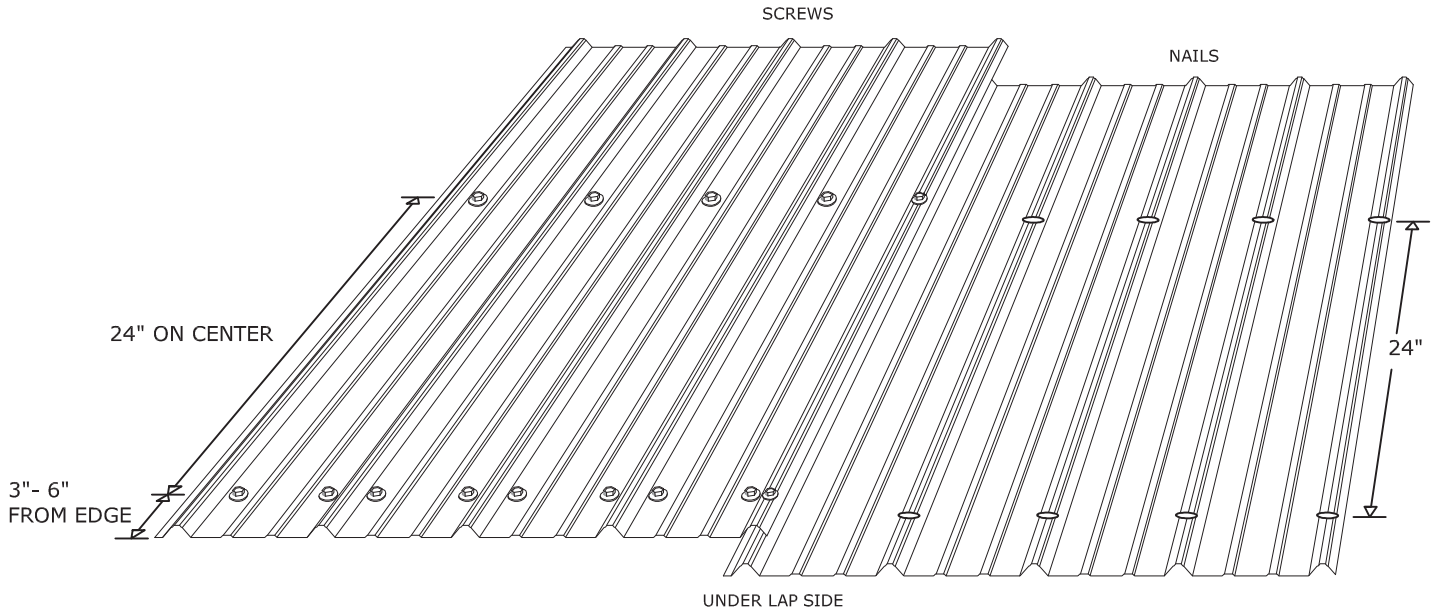
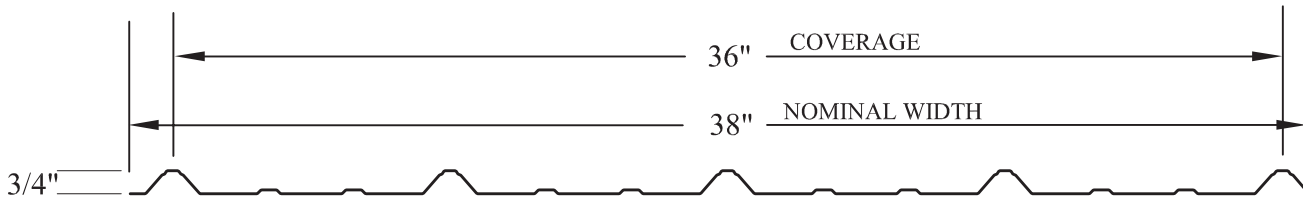
OUTSIDE CORNER _____ PAGE 21

DOOR TRACK COVER _____ PAGE 22

C-METAL, HEAD TRIM & BASE CLOSURE _____ PAGE 23

FASTENER SELECTION _____ PAGE 24

WARRANTY & STORAGE INSTRUCTIONS _____ PAGE 25



INSTALLATION INSTRUCTIONS

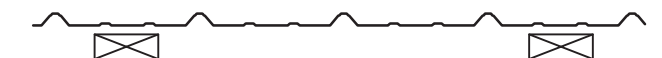
SCREW PATTERN

SCREWS SHOULD BE PLACED IN THE FLAT OF THE PANEL ADJACENT TO THE RIB. SCREW PATTERN TO BE REPEATED EVERY 2 FT. O.C. FROM EAVE TO RIDGE. USE AT LEAST 70 SCREWS PER 100 SQ. FT.

*NOTE: SCREWS SHOULD BE PLACED ON EACH SIDE OF THE RIB AT THE EAVE.

STORAGE

** EXPOSED FASTENER PANELS SHOULD BE KEPT OFF THE GROUND AND DRY BEFORE USE TO AVOID THE FORMATION OF WHITE RUST. IF PANELS MUST BE STORED FOR A LONG PERIOD OF TIME, THEY MUST BE SEPARATED TO ALLOW AIR FLOW AROUND THE PANEL. PLACE PANEL ON AN INCLINE TO ALLOW ANY MOISTURE TO RUN OFF.



KEEP OFF GROUND !

NAIL PATTERN

EACH NAIL SHOULD BE PLACED IN THE TOP OF THE RIB. MAKE SURE NOT TO OVER DRIVE THE NAILS. NAIL PATTERN SHOULD BE REPEATED EVERY 2' O.C.

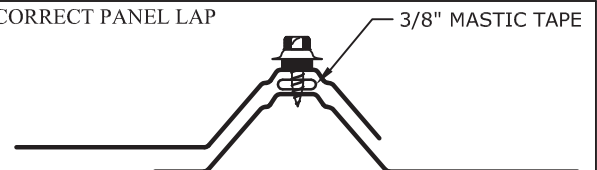
SUB STRUCTURE

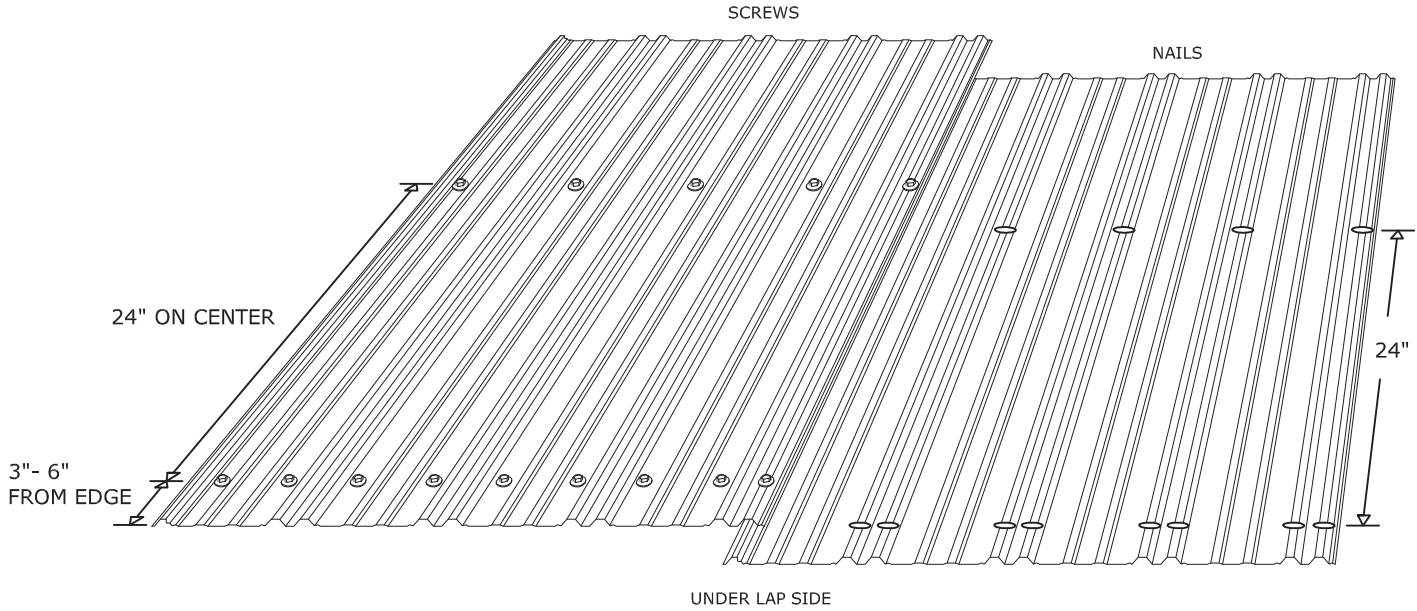
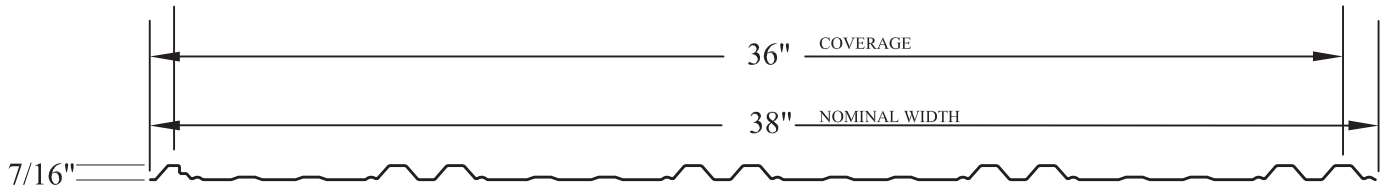
RIB LOC PANELS CAN BE INSTALLED OVER OPEN PURLINS (24" O.C.) OR ON A SOLID DECKING. WHEN A SOLID DECKING IS USED, A MINIMUM OF 30 LB FELT MUST BE USED AS A MOISTURE BARRIER BETWEEN THE PANEL AND DECK.

ACCESSORIES

-  1 1/2" WOOD SCREW FOR PANEL INSTALLATION
-  3/4" - 7/8" METAL SCREW FOR PANEL LAP
-  3/8" MASTIC TAPE ROLL FOR PANEL LAP

CORRECT PANEL LAP





INSTALLATION INSTRUCTIONS

SCREW PATTERN

SCREWS SHOULD BE PLACED IN THE FLAT OF THE PANEL ADJACENT TO THE RIB. SCREW PATTERN TO BE REPEATED EVERY 2 FT. O.C. FROM EAVE TO RIDGE. USE AT LEAST 70 SCREWS PER 100 SQ. FT.

*NOTE: SCREWS SHOULD BE PLACED ON EACH SIDE OF THE RIB AT THE EAVE.

STORAGE

** EXPOSED FASTENER PANELS SHOULD BE KEPT OFF THE GROUND AND DRY BEFORE USE TO AVOID THE FORMATION OF WHITE RUST. IF PANELS MUST BE STORED FOR A LONG PERIOD OF TIME, THEY MUST BE SEPARATED TO ALLOW AIR FLOW AROUND THE PANEL. PLACE PANEL ON AN INCLINE TO ALLOW ANY MOISTURE TO RUN OFF.



KEEP OFF GROUND !

NAIL PATTERN

EACH NAIL SHOULD BE PLACED IN THE TOP OF THE RIB. MAKE SURE NOT TO OVER DRIVE THE NAILS. NAIL PATTERN SHOULD BE REPEATED EVERY 2' O.C.

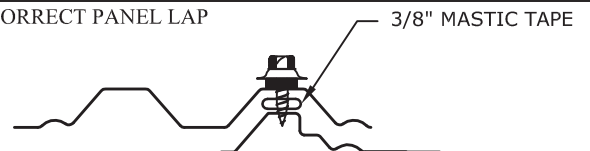
SUB STRUCTURE

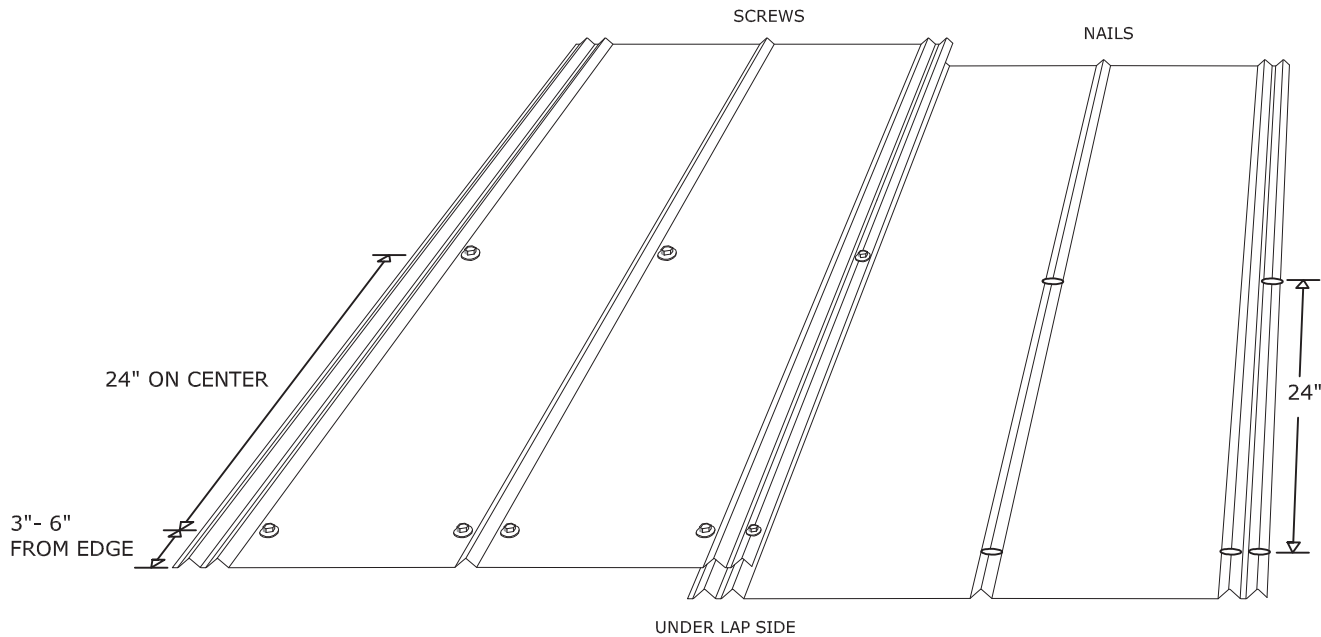
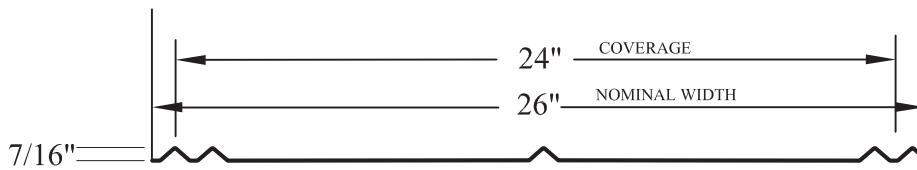
DRI LOC PANELS CAN BE INSTALLED OVER OPEN PURLINS (24" O.C.) OR ON A SOLID DECKING. WHEN A SOLID DECKING IS USED, A MINIMUM OF 30 LB FELT MUST BE USED AS A MOISTURE BARRIER BETWEEN THE PANEL AND DECK.

ACCESSORIES

- 1 1/2" WOOD SCREW FOR PANEL INSTALLATION
- 3 / 4" METAL SCREW FOR PANEL LAP
- 3/8" MASTIC TAPE ROLL FOR PANEL LAP

CORRECT PANEL LAP





INSTALLATION INSTRUCTIONS

SCREW PATTERN

SCREWS SHOULD BE PLACED IN THE FLAT OF THE PANEL ADJACENT TO THE RIB. SCREW PATTERN TO BE REPEATED EVERY 2 FT. O.C. FROM EAVE TO RIDGE. USE AT LEAST 70 SCREWS PER 100 SQ. FT.

*NOTE: SCREWS SHOULD BE PLACED ON EACH SIDE OF THE RIB AT THE EAVE.

STORAGE

** EXPOSED FASTENER PANELS SHOULD BE KEPT OFF THE GROUND AND DRY BEFORE USE TO AVOID THE FORMATION OF WHITE RUST. IF PANELS MUST BE STORED FOR A LONG PERIOD OF TIME, THEY MUST BE SEPARATED TO ALLOW AIR FLOW AROUND THE PANEL. PLACE PANEL ON AN INCLINE TO ALLOW ANY MOISTURE TO RUN OFF.



KEEP OFF GROUND !

NAIL PATTERN

EACH NAIL SHOULD BE PLACED IN THE TOP OF THE RIB. MAKE SURE NOT TO OVER DRIVE THE NAILS. NAIL PATTERN SHOULD BE REPEATED EVERY 2' O.C.

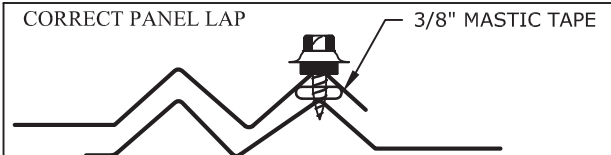
SUB STRUCTURE

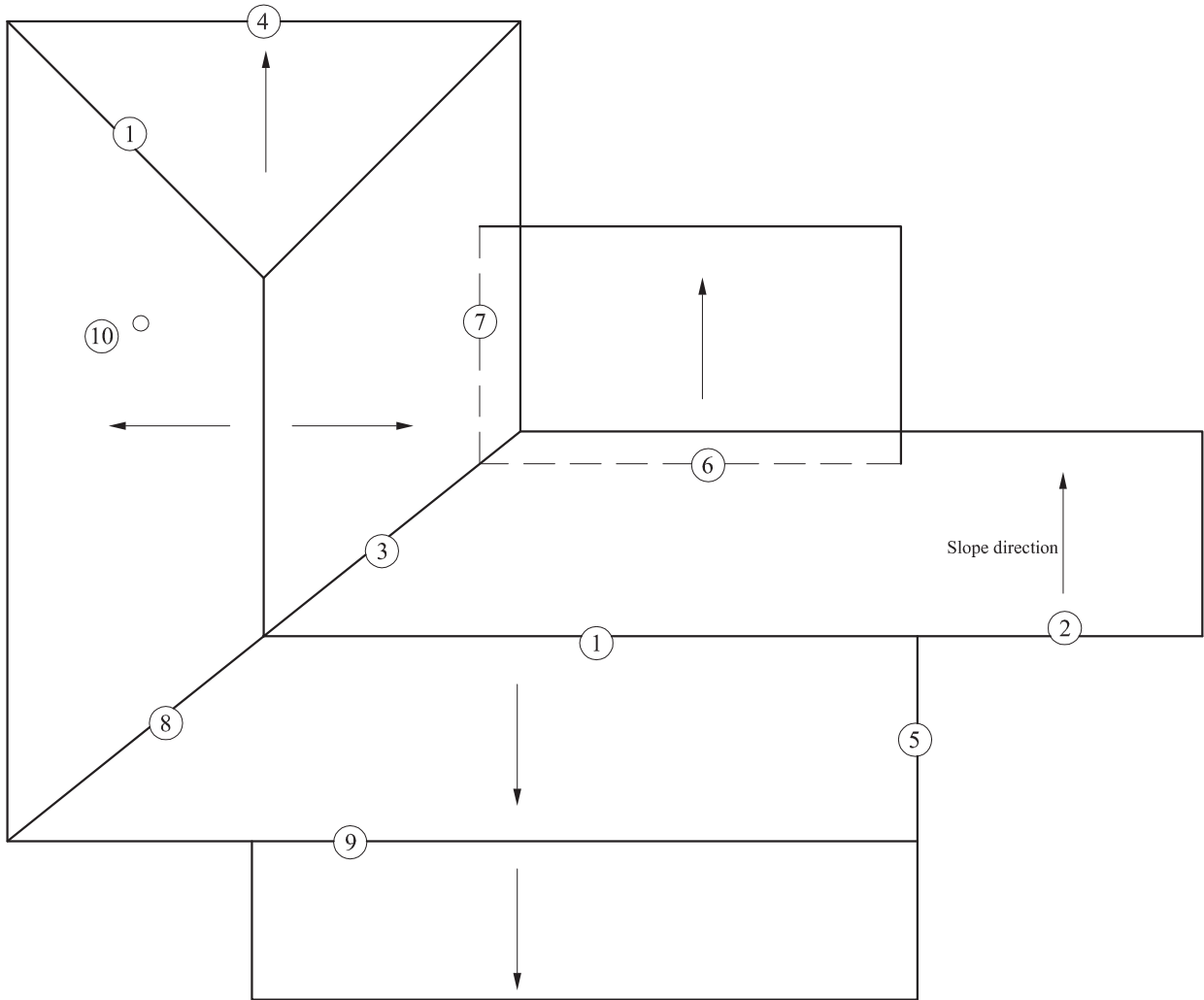
5V PANELS CAN BE INSTALLED OVER OPEN PURLINS (24" O.C.) OR ON A SOLID DECKING. WHEN A SOLID DECKING IS USED, A MINIMUM OF 30 LB FELT MUST BE USED AS A MOISTURE BARRIER BETWEEN THE PANEL AND DECK.

ACCESSORIES

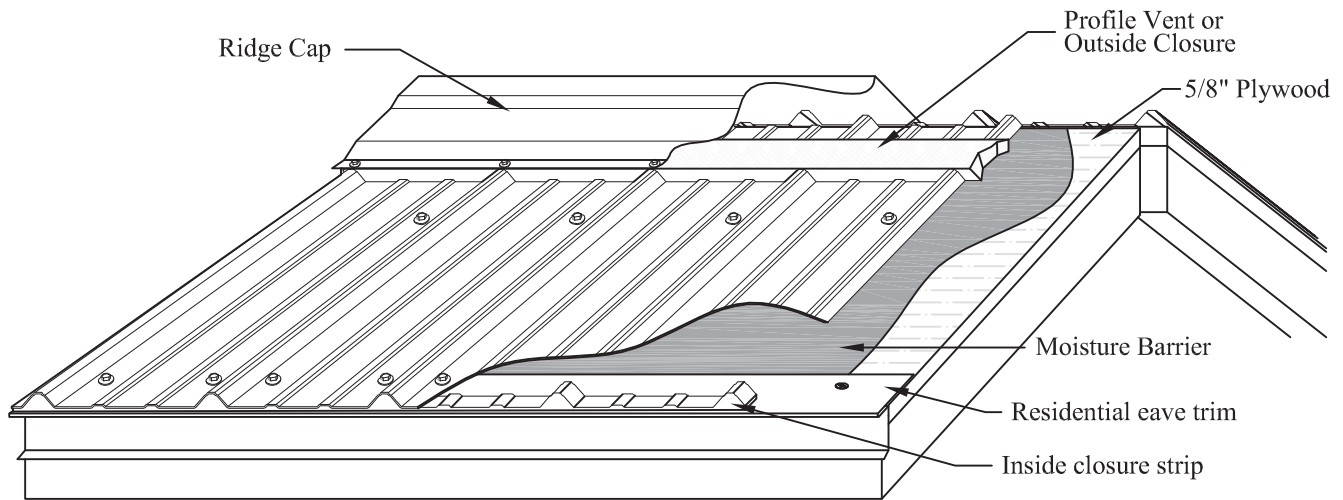
- 1 1/2" WOOD SCREW FOR PANEL INSTALLATION
- 3/4" - 7/8" METAL SCREW FOR PANEL LAP
- 3/8" MASTIC TAPE ROLL FOR PANEL LAP

CORRECT PANEL LAP

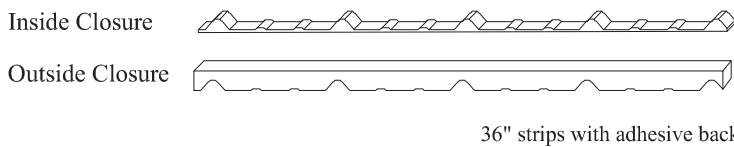




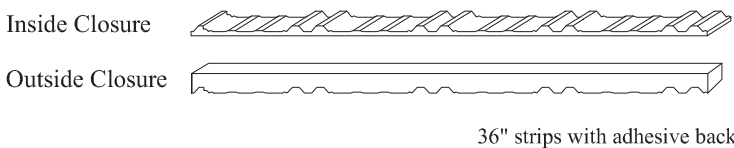
- | | |
|-----------------------------|----------|
| 1. RIDGE CAP _____ | PG 9 |
| 2. SINGLE SLOPE RIDGE _____ | PG 10 |
| 3. VALLEY _____ | PG 11 |
| 4. EAVE _____ | PG 12-13 |
| 5. GABLE _____ | PG 14-15 |
| 6. ENDWALL _____ | PG 16 |
| 7. SIDEWALL _____ | PG 17 |
| 8. HIP _____ | PG 9 |
| 9. TRANSITION/GAMBREL _____ | PG 18-19 |
| 10. PIPE FLASHING _____ | PG 8 |



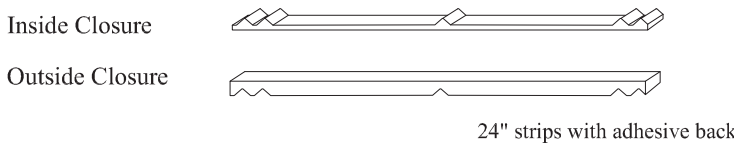
RIB LOC



DRI LOC



5V



Rib Loc Profile Vent

Provides 17sq. in. of Net Free Air Flow per lineal foot of ridge



Allow 2" opening at ridge for ventilation. Place Profile Vent on both sides of ridge 1" up-slope of ridge cap edge. Must be used with vented soffit or gable vents for proper ventilation.

Two 50' rolls per package

1" Expandable Foam Sealant

A universal closure strip is used where the panel profile has been cut on an angle, such as hips and valleys.

20' roll, expands up to 1" in thickness

Typical Closure Locations

- INSIDE CLOSURE
 - Eave
 - Transition
 - Gambrel
- OUTSIDE CLOSURE
 - Transition
 - Gambrel
 - Endwall
 - Ridge
- 1" FOAM SEALANT
 - Hips
 - Valley
- PROFILE VENT
 - Ridge

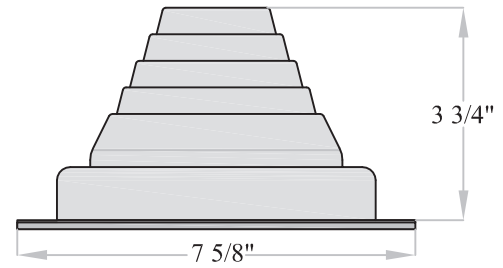
CLOSURE STRIPS ARE USED TO PROTECT AGAINST THE ELEMENTS AND UNWANTED DEBRIS. THEY ARE NOT INTENDED TO INSURE WATER TIGHTNESS. USE CLOSURE STRIPS WITH THE PROFILE OF THE PANEL. AN ADHESIVE BACKING HAS BEEN PROVIDED TO AID IN THE INSTALLATION PROCESS.

Product Description

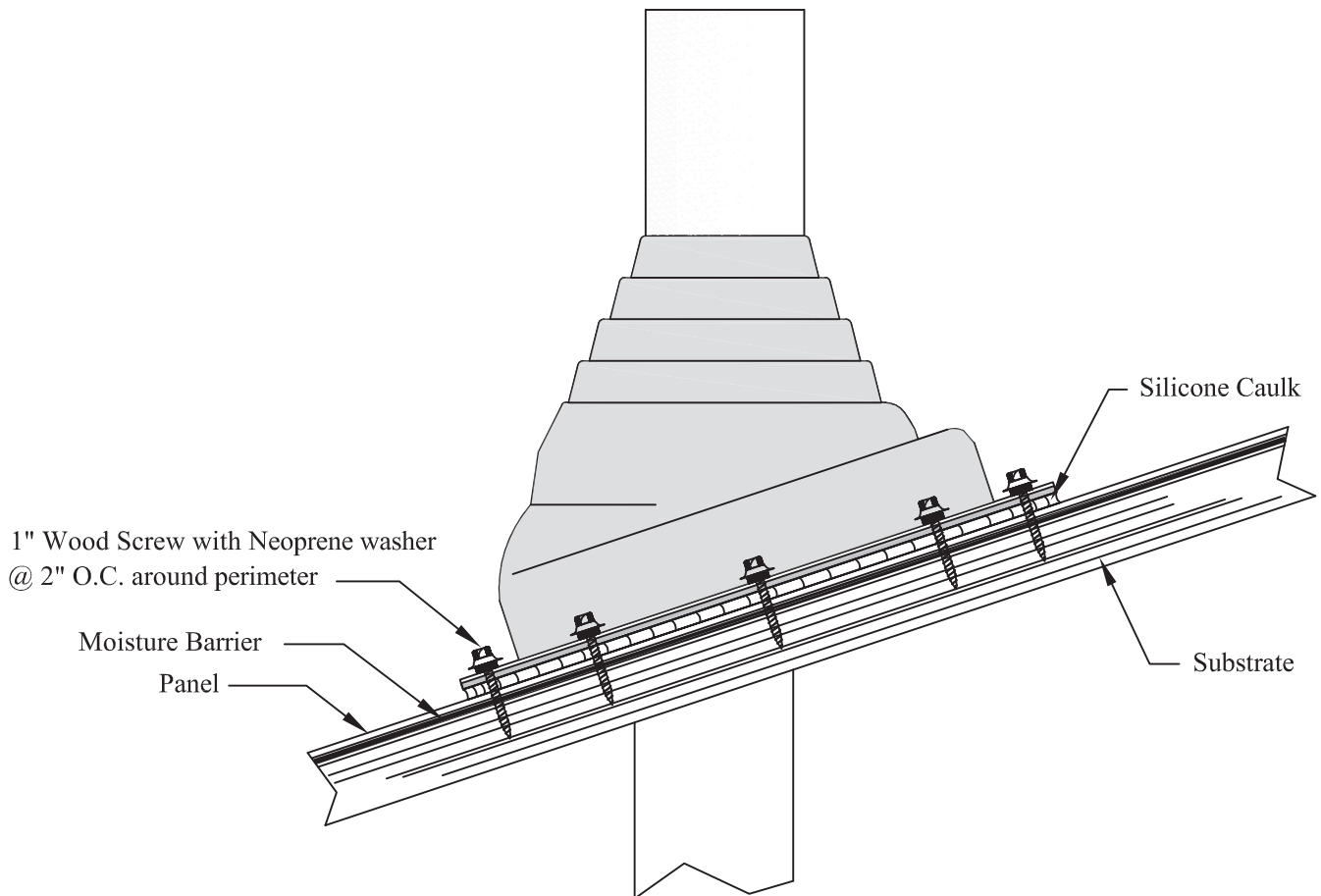
Pipe Boots come in a wide range of sizes ranging from 1/4" to 24" in diameter and are made of long life, flexible, weatherproof gray EPDM rubber or red silicone.

Flexible, corrosion resistant aluminum base conforms to any panel configuration.

High temperature boots are available upon request.



Standard Pipe Boot is 1/4" to 5"



Installation:

The pipe boot must first be cut to proper size in order to fit around pipe. Apply a small amount of silicone caulk around the base of the boot and place over pipe. It may be necessary to mold the base of the boot around ribs or striations in the panel. Install a 1" wood screw every 2" around the base of the boot.

Product Description

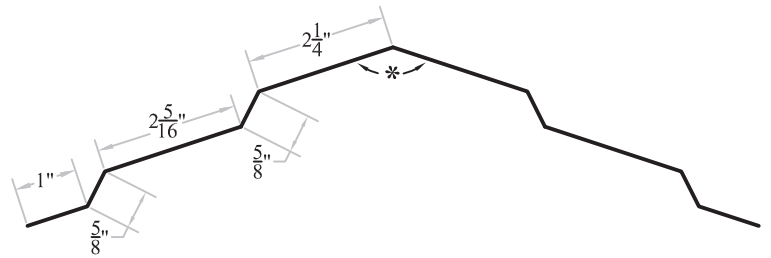
CMS Universal Ridge Cap is available in:

- 29 gauge painted steel
- 26 gauge painted steel
- 24 gauge painted steel
- 26 and 24 gauge Acrylume
- 29 gauge unpainted Galvanized

All trim is available in standard 10 foot lengths and can be custom made up to 20 feet.

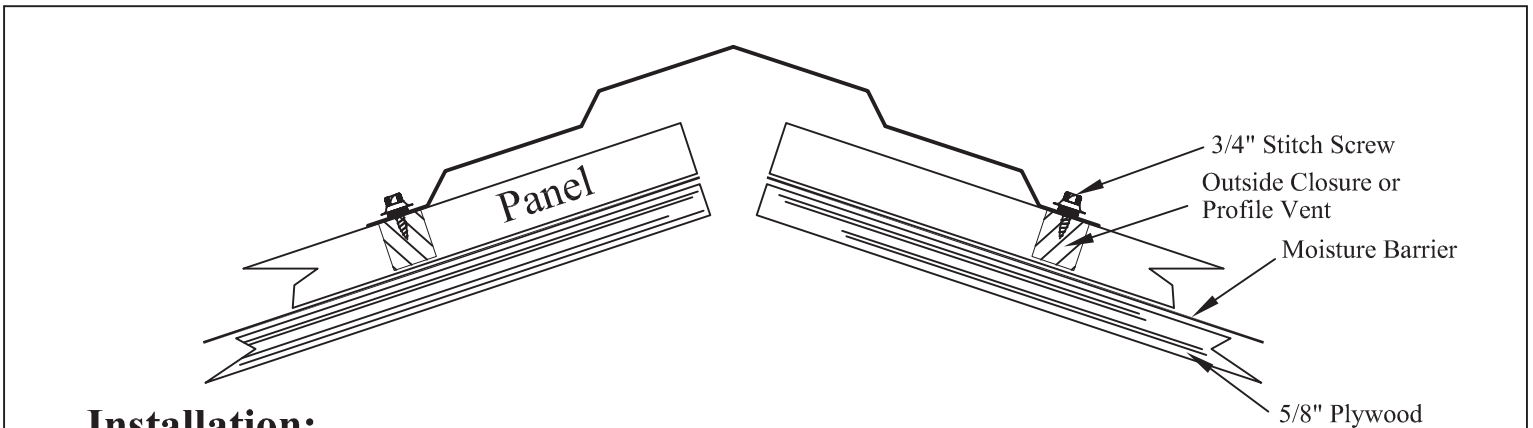
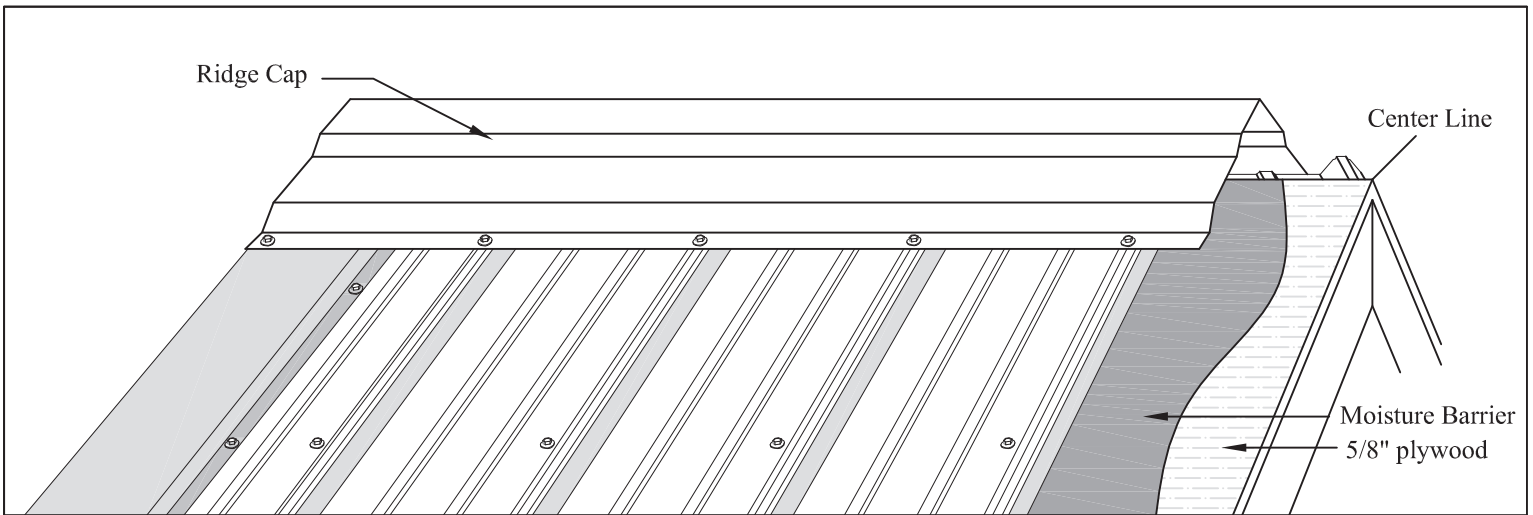
14/9

13.625"



*Angle of trim will vary based on the pitch of the roof.

Specify Slope



Installation:

Install outside closure or profile vent over panel first before placing ridge cap over roof. Place trim over center line of roof and screw through flat area at bottom of ridge cap using a 3/4" stitch screw. The screw should only penetrate the ridge cap and the panel, not the substrate. Depending on the panel being used, place screws at each rib.

Allow 6" of overlap when using more than one piece of trim.

Install over hips in the same method, however, use 1" expandable foam sealant instead of outside closure strips.

Product Description

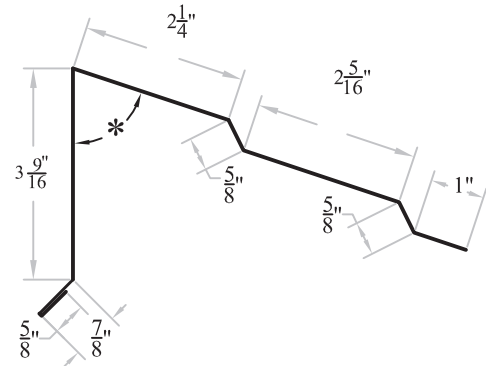
CMS Single Slope Ridge is available in:

- 29 gauge painted steel
- 26 gauge painted steel
- 24 gauge painted steel
- 26 and 24 gauge Acrylume
- 29 gauge unpainted Galvanized

All trim is available in standard 10 foot lengths and can be custom made up to 20 feet.

12/7

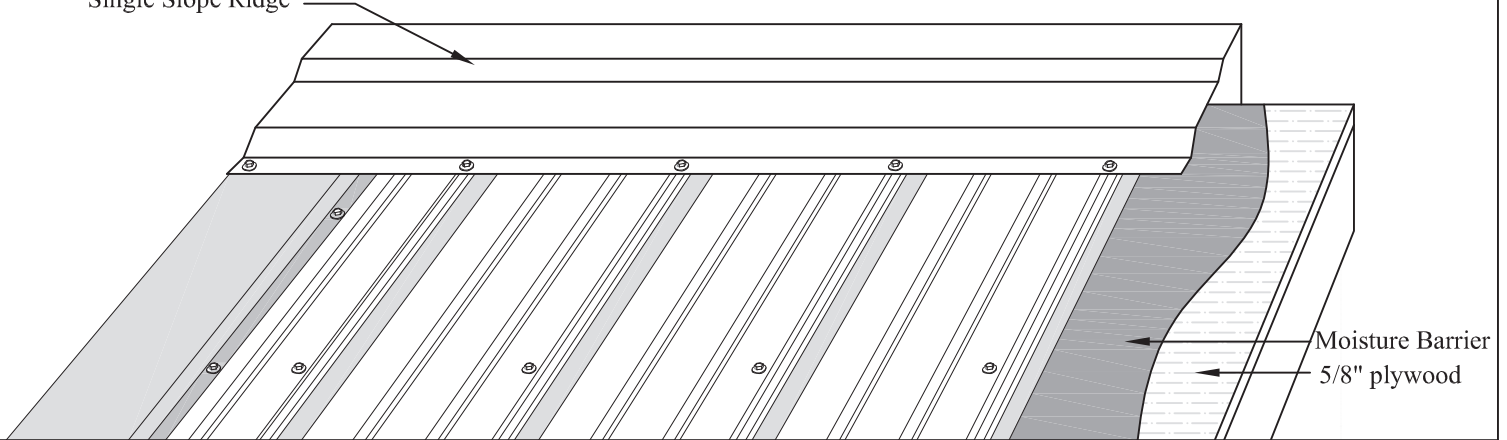
11.875"



*Angle of trim will vary based on the pitch of the roof.

Specify Slope

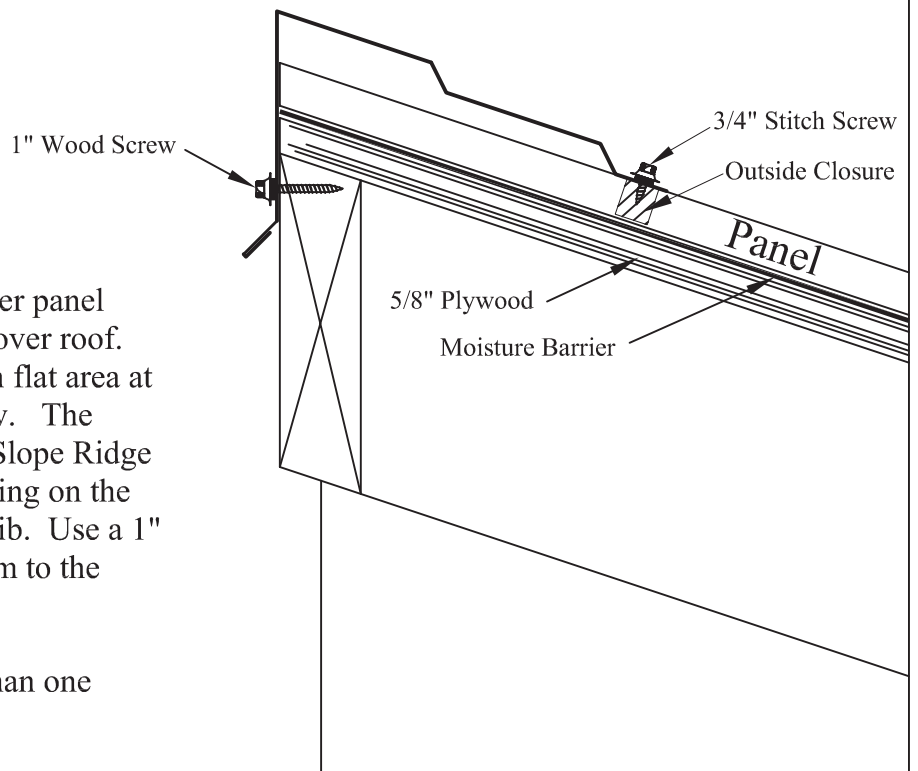
Single Slope Ridge



Installation:

Install outside closure or profile vent over panel first before placing Single Slope Ridge over roof. Place trim over panel and screw through flat area at bottom of ridge using a 3/4" stitch screw. The screw should only penetrate the Single Slope Ridge and the panel, not the substrate. Depending on the panel being used, place screws at each rib. Use a 1" wood screw to fasten the back of the trim to the fascia board.

Allow 6" of overlap when using more than one piece of trim.



Product Description

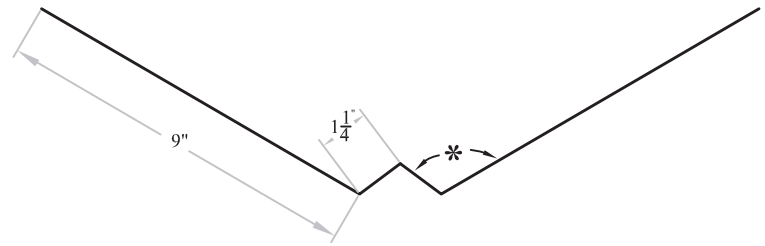
CMS Valley trim is available in:

- 29 gauge painted steel
- 26 gauge painted steel
- 24 gauge painted steel
- 26 and 24 gauge Acrylume
- 29 gauge unpainted Galvanized

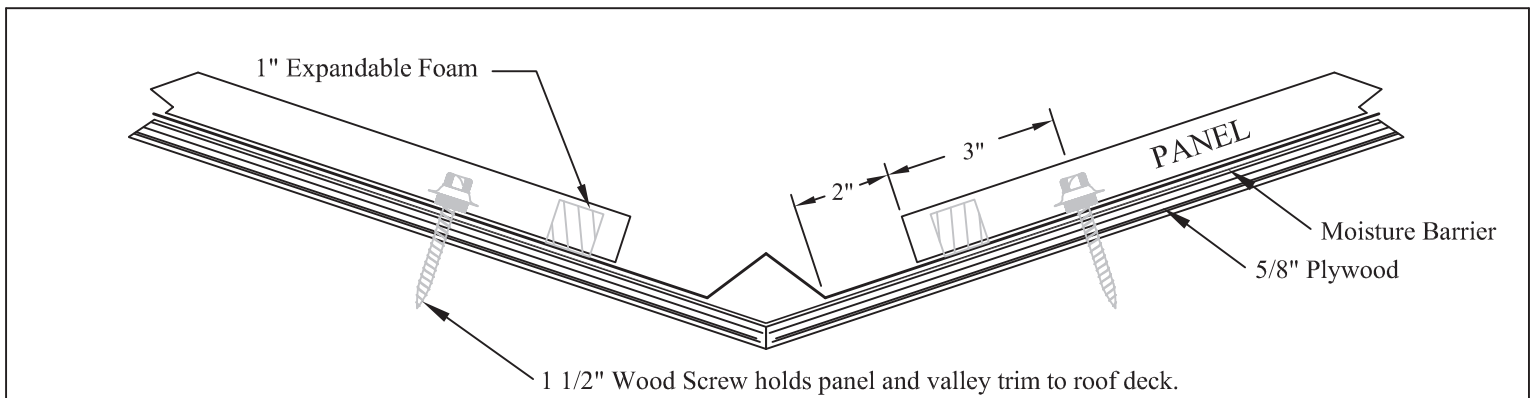
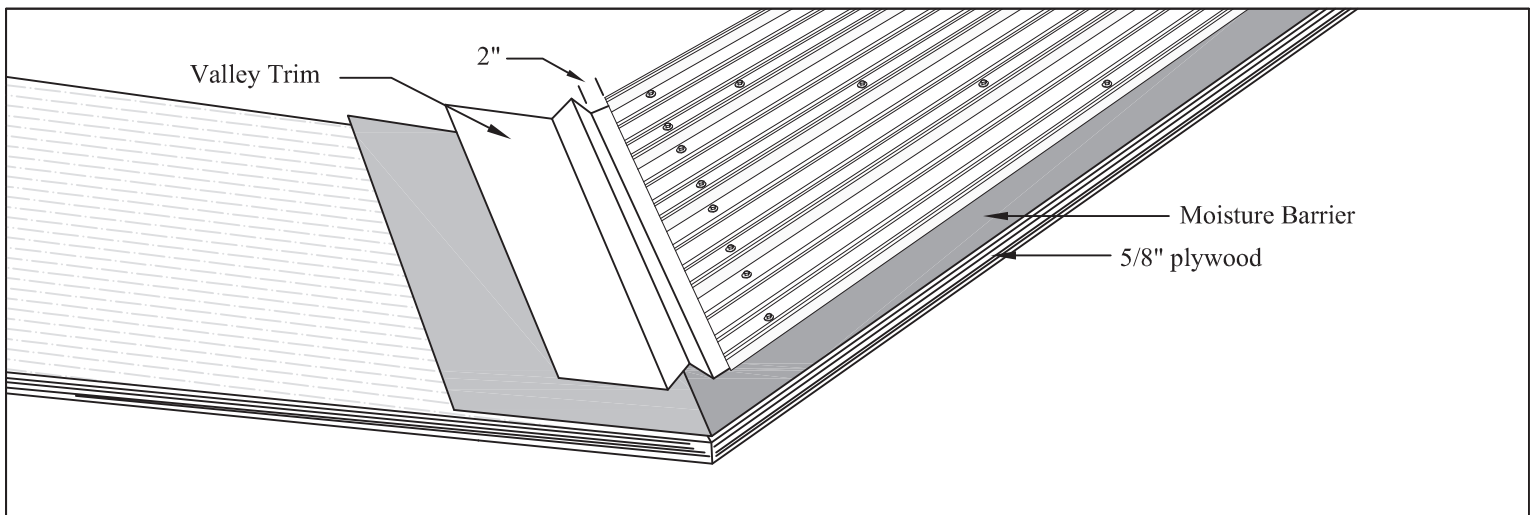
All trim is available in standard 10 foot lengths and can be custom made up to 20 feet.

21/3

20.438"



*Angle of trim will vary based on the pitch of the roof.



Installation:

Install valley by placing in position and attaching panel 2" up-slope from valley rib using 1 1/2" wood screw. Place screws 3" up-slope from bottom edge of panel, making sure to place one screw on each side of the rib. Then follow standard screw pattern.

Allow 6" of overlap when using more than one piece of trim.

Use 1" expandable foam sealant only.

Product Description

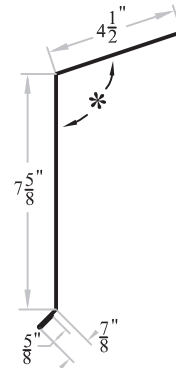
CMS Standard Eave is available in:

- 29 gauge painted steel
- 26 gauge painted steel
- 24 gauge painted steel
- 26 and 24 gauge Acrylume
- 29 gauge unpainted Galvanized

All trim is available in standard 10 foot lengths and can be custom made up to 20 feet.

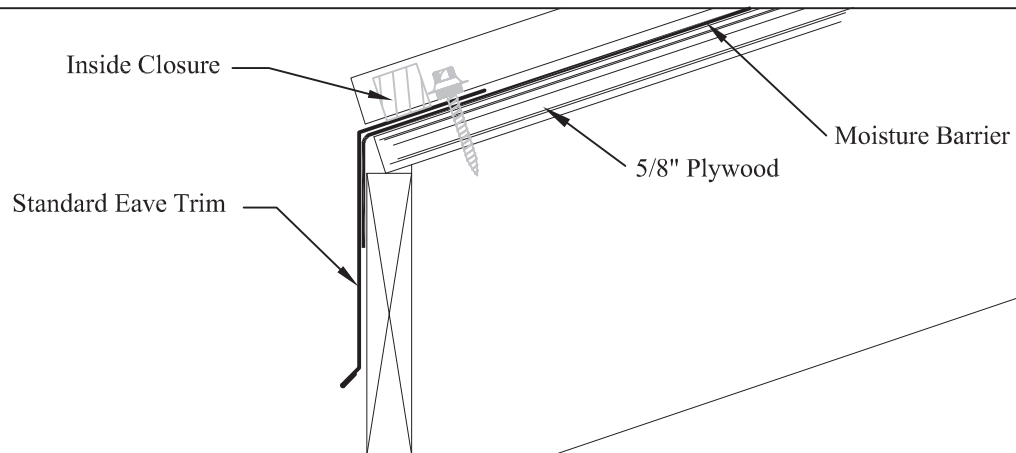
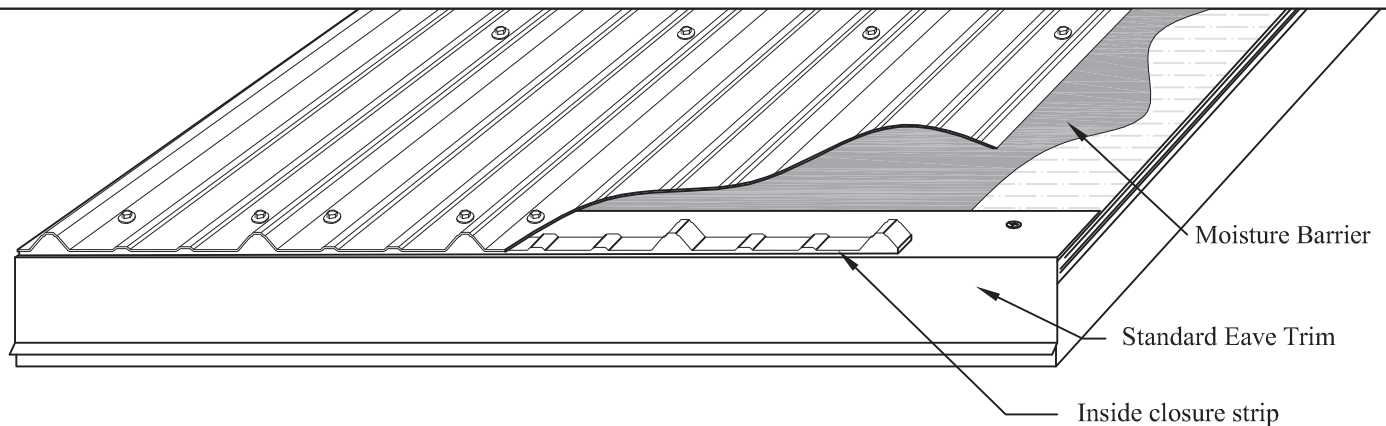
14/3

13.625"



*Angle of trim will vary based on the pitch of the roof.

Specify Slope



Installation:

The Eave Trim must be temporarily tacked to the roof decking before the panels can be installed. The installation of the panels using a 1 1/2" wood screw will permanently secure the Eave Trim into place. Use an inside closure strip at the base of the panel where it comes into contact with the Eave Trim.

Allow 6" of overlap when using more than one piece of trim.

Product Description

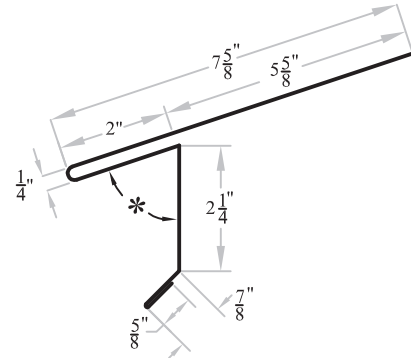
CMS Residential Eave is available in:

- 29 gauge painted steel
- 26 gauge painted steel
- 24 gauge painted steel
- 26 and 24 gauge Acrylume
- 29 gauge unpainted Galvanized

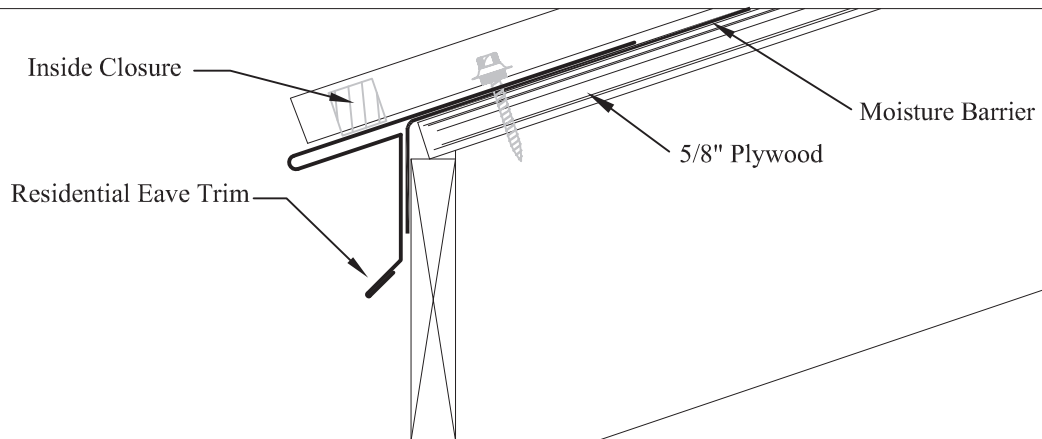
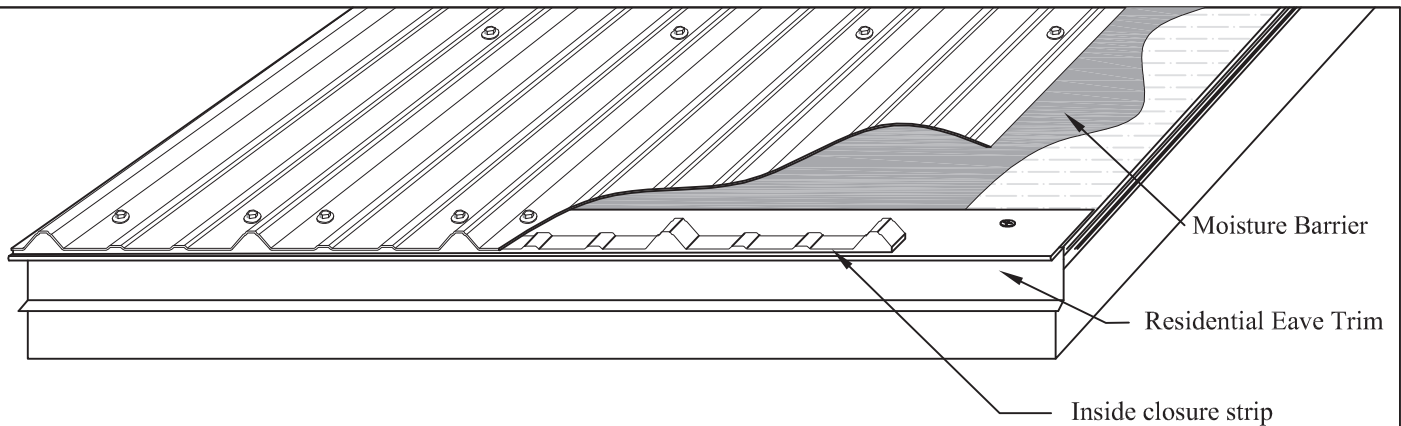
All trim is available in standard 10 foot lengths and can be custom made up to 20 feet.

14/4

13.625"



*Angle of trim will vary based on the pitch of the roof.



Installation:

The Eave Trim must be temporarily tacked to the roof decking before the panels can be installed. The installation of the panels using a 1 1/2" wood screw will permanently secure the Eave Trim into place. Use an inside closure strip at the base of the panel where it comes into contact with the Eave Trim.

Allow 6" of overlap when using more than one piece of trim.

Product Description

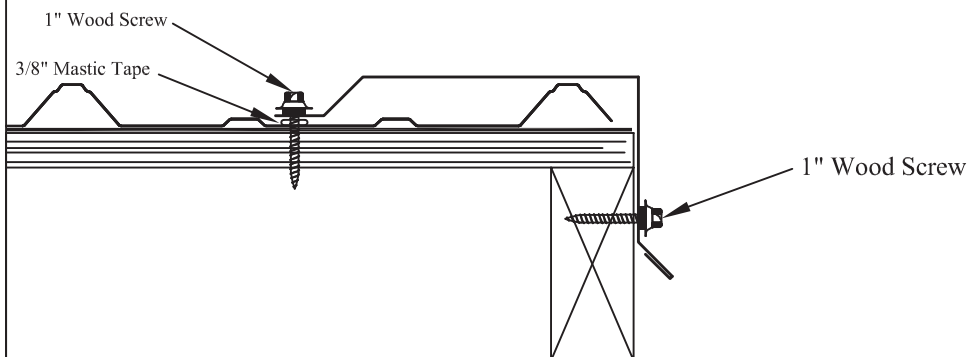
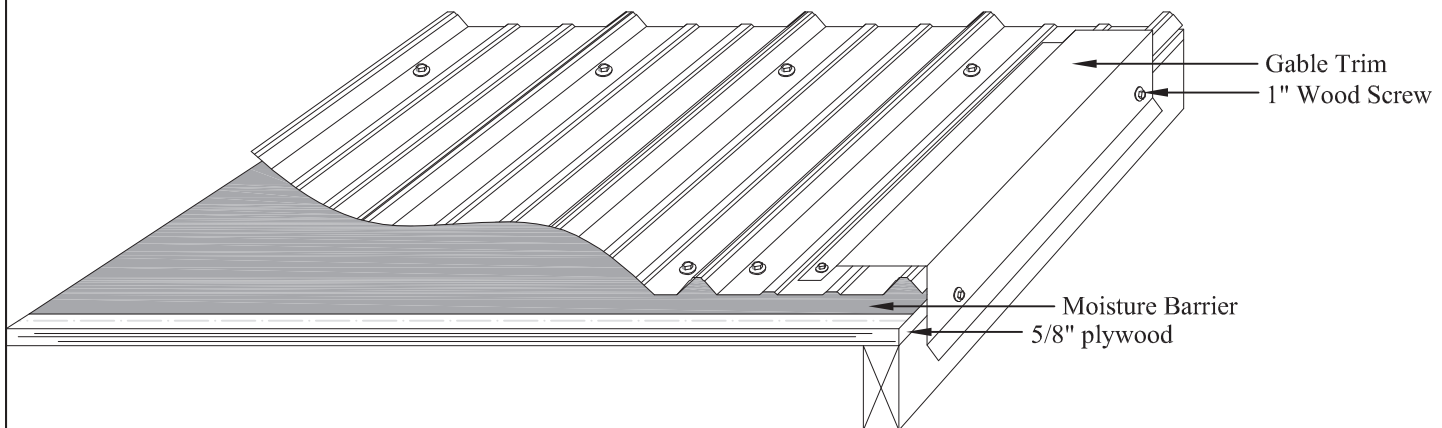
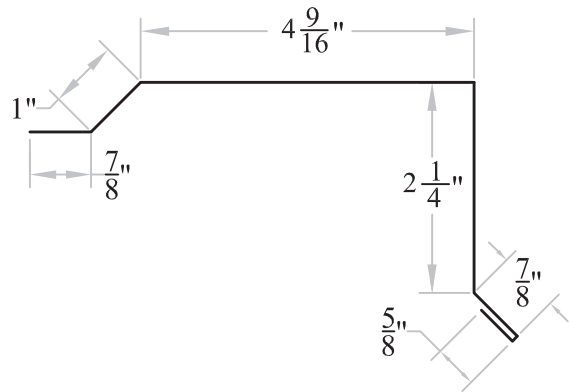
CMS Residential Gable is available in:

- 29 gauge painted steel
- 26 gauge painted steel
- 24 gauge painted steel
- 26 and 24 gauge Acrylume
- 29 gauge unpainted Galvanized

All trim is available in standard 10 foot lengths and can be custom made up to 20 feet.

11/5

10.188"



Installation:

Place 3/8" mastic tape to the underside of the gable trim on the 7/8" flange before installing trim. Use 1" wood screws to fasten trim on the top and to the side face.

Allow 6" of overlap when using more than one piece of trim.

Product Description

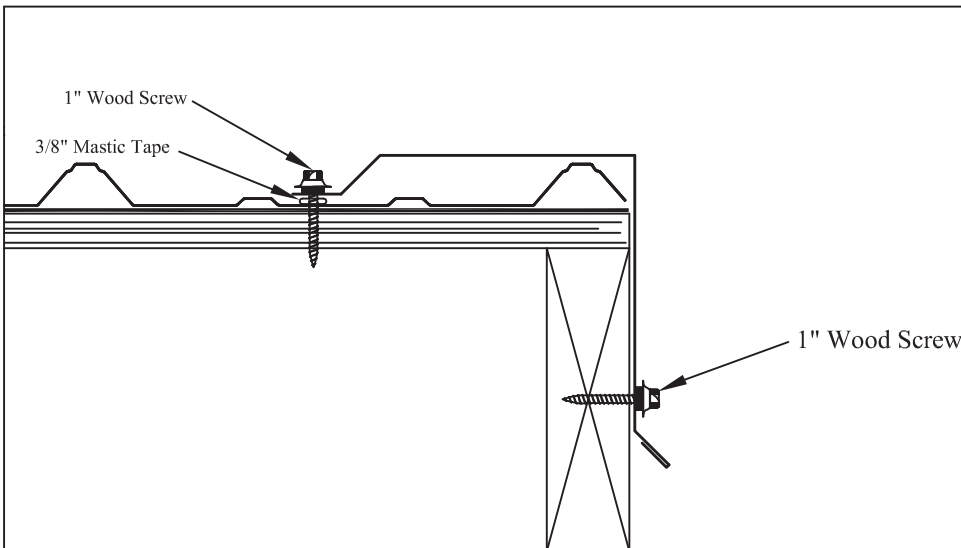
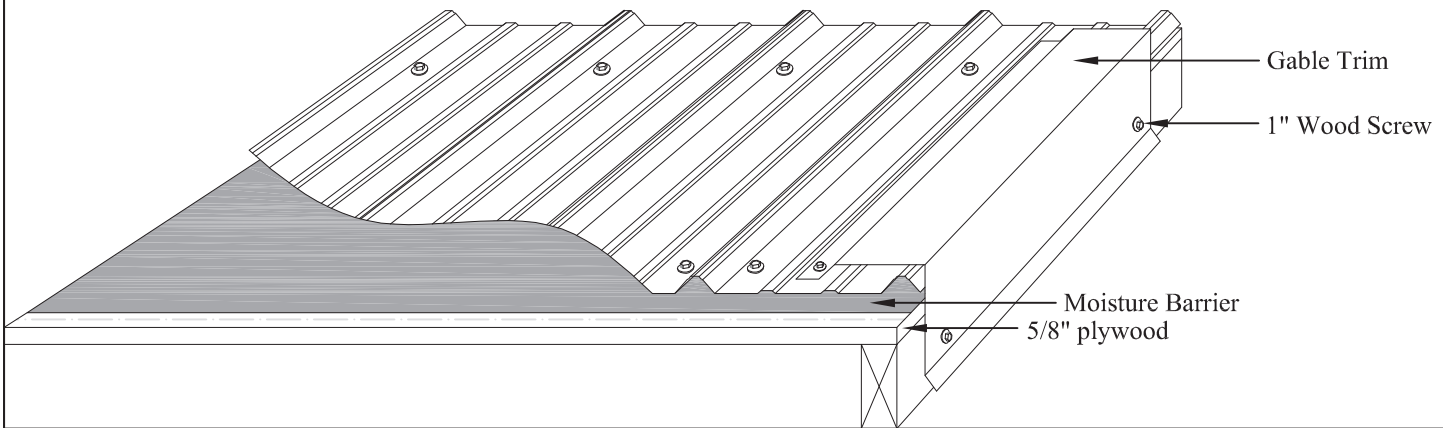
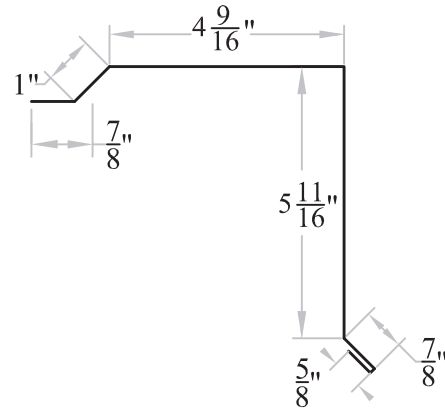
CMS Standard Gable is available in:

- 29 gauge painted steel
- 26 gauge painted steel
- 24 gauge painted steel
- 26 and 24 gauge Acrylume
- 29 gauge unpainted Galvanized

All trim is available in standard 10 foot lengths and can be custom made up to 20 feet.

14/5

13.625"



Installation:

Place 3/8" mastic tape to the underside of the gable trim on the 7/8" flange before installing trim. Use 1" wood screws to fasten trim on the top and to the side face.

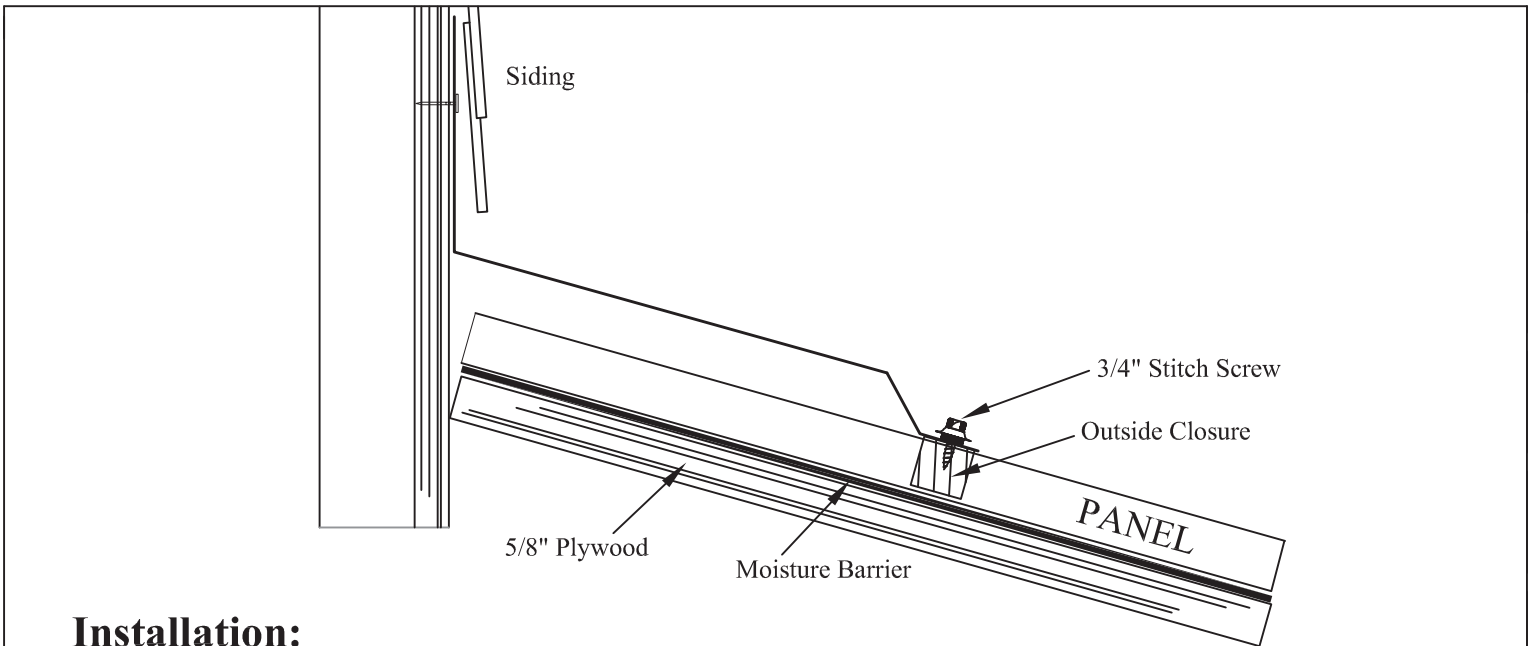
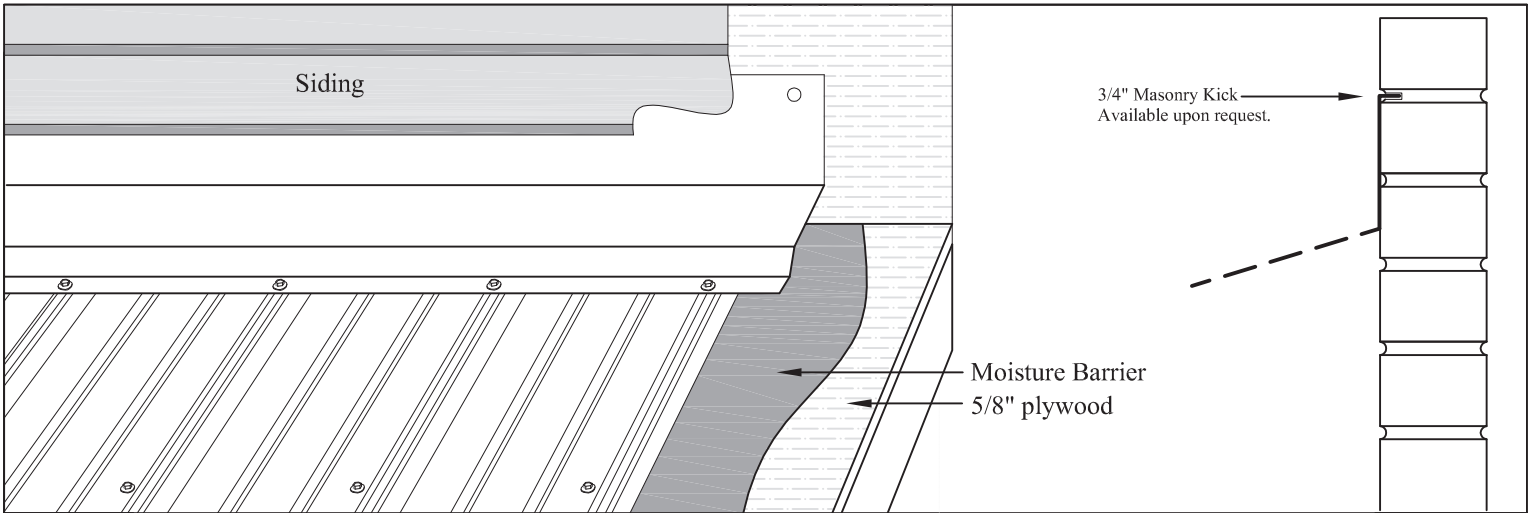
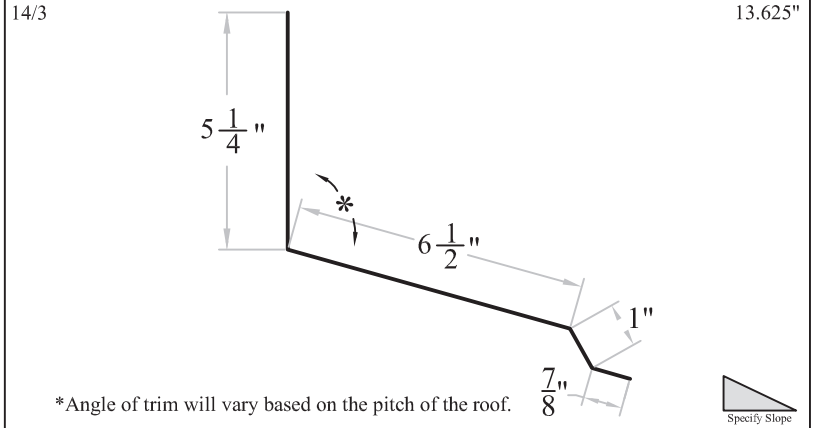
Allow 6" of overlap when using more than one piece of trim.

Product Description

CMS Endwall is available in:

- 29 gauge painted steel
- 26 gauge painted steel
- 24 gauge painted steel
- 26 and 24 gauge Acrylume
- 29 gauge unpainted Galvanized

All trim is available in standard 10 foot lengths and can be custom made up to 20 feet.



Installation:

The Endwall Trim must be secured to the wall before siding is installed. Use an outside closure strip at the bottom edge of the trim and fasten trim to panel with a 3/4" stitch screw. If installing onto a brick wall, a masonry kick may be added to trim to allow the trim to be placed into the wall. Silicone caulk is used to secure the trim to the wall.

Product Description

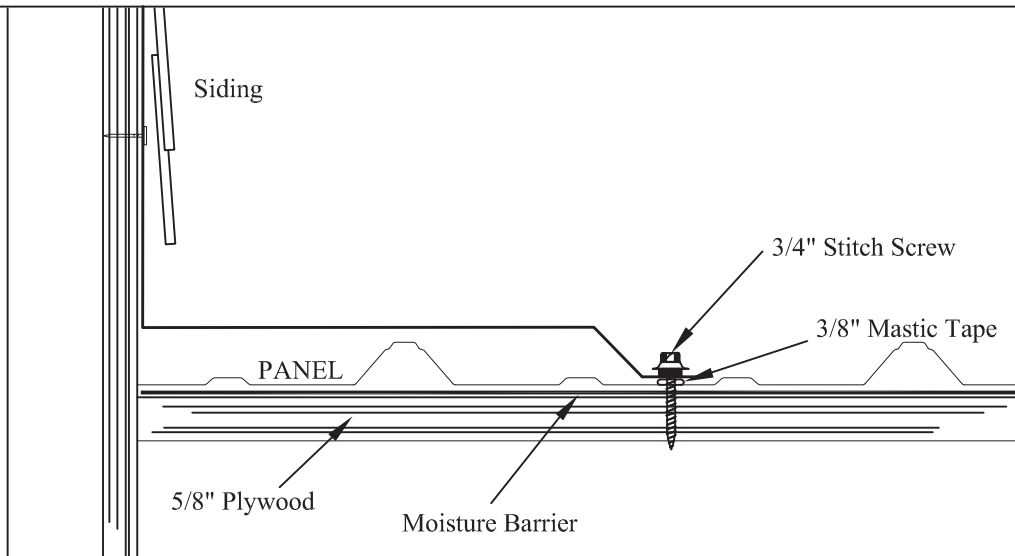
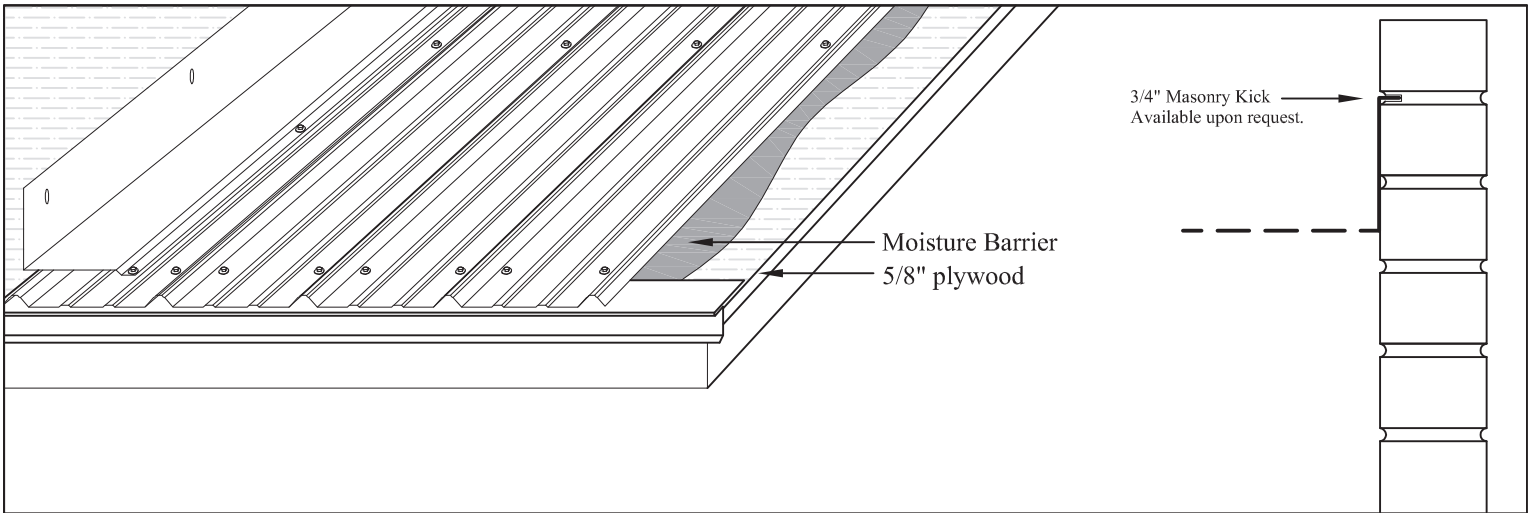
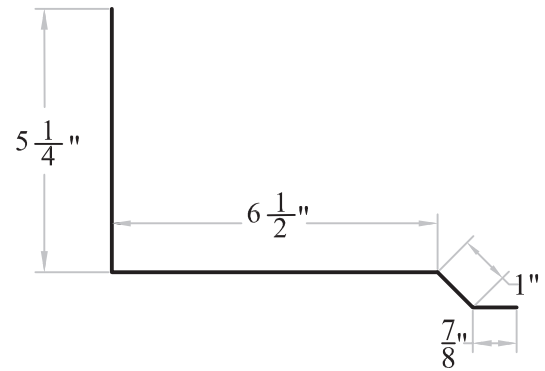
CMS Sidewall is available in:

- 29 gauge painted steel
- 26 gauge painted steel
- 24 gauge painted steel
- 26 and 24 gauge Acrylume
- 29 gauge unpainted Galvanized

All trim is available in standard 10 foot lengths and can be custom made up to 20 feet.

14/3

13.625"



Installation:

The Sidewall Trim must be secured to the wall before siding is installed. Use 3/8" mastic tape under the fastening edge of the sidewall and install using 1 1/2" wood screws along the trim every 12". If installing onto a brick wall, a masonry kick may be added to trim to allow the trim to be placed into the wall. Silicone caulk is used to secure the trim to the wall.

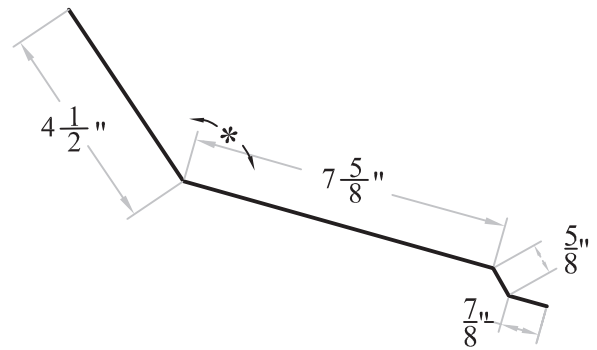
Product Description

CMS Transition is available in:
 29 gauge painted steel
 26 gauge painted steel
 24 gauge painted steel
 26 and 24 gauge Acrylume
 29 gauge unpainted Galvanized

All trim is available in standard 10 foot lengths and can be custom made up to 20 feet.

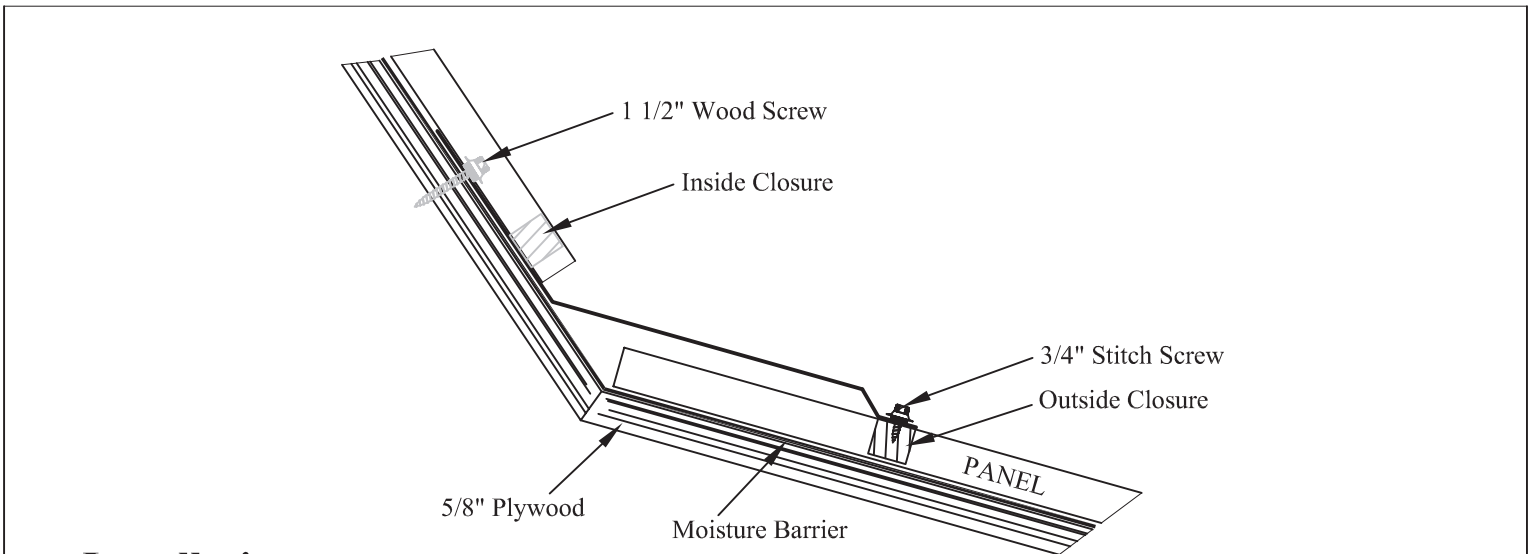
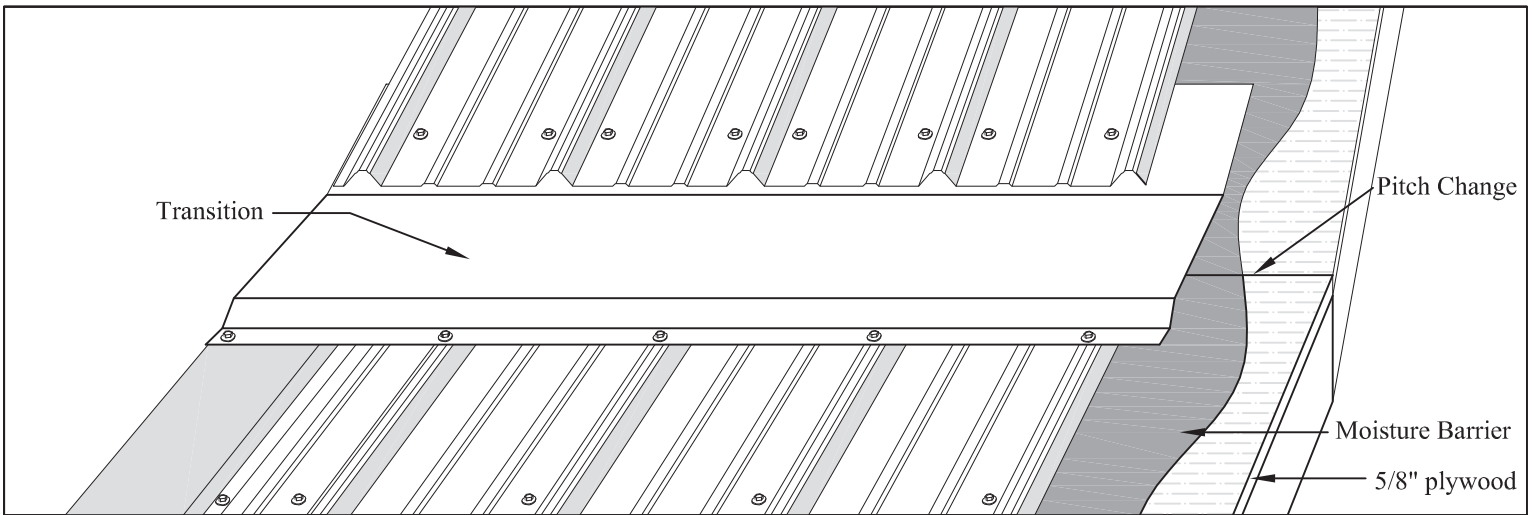
14/3

13.625"



*Angle of trim will vary based on the pitch of the roof.

Specify Slope



Installation:

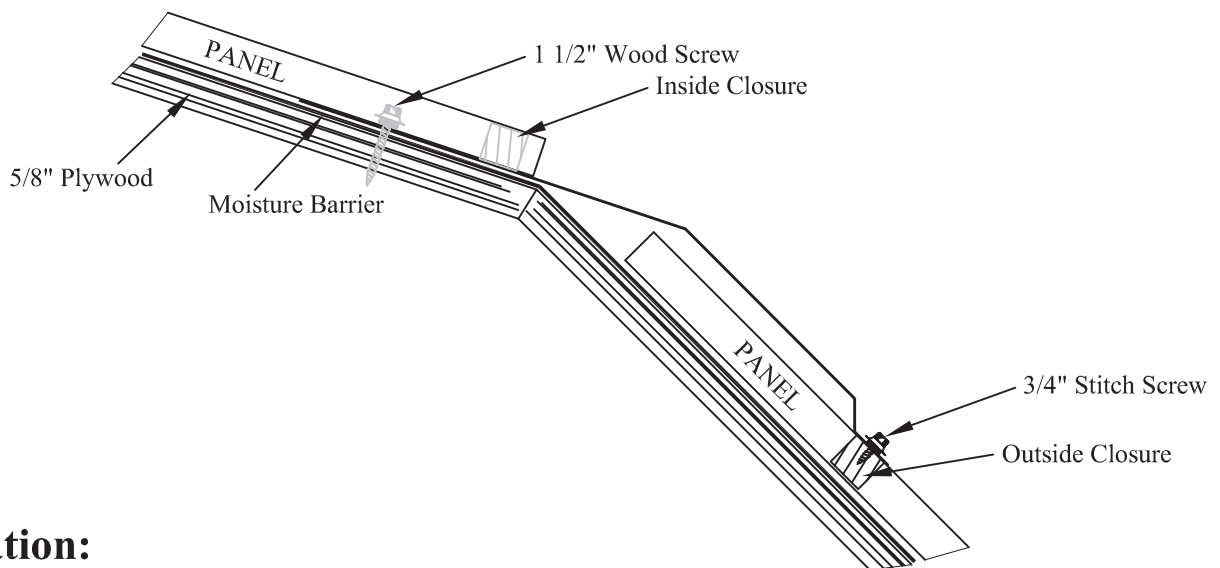
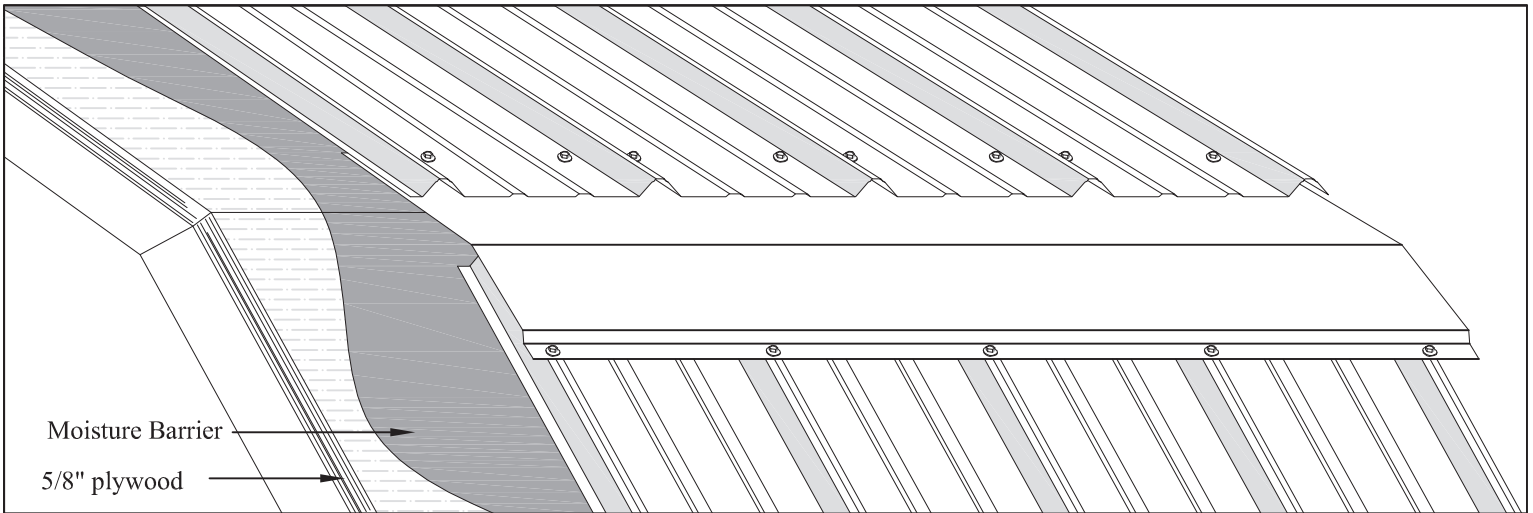
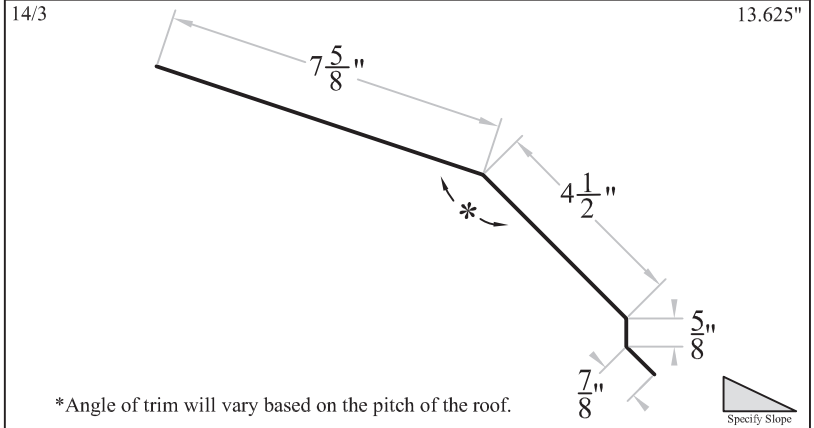
Lower roof panels must be installed before transition can be installed. Place Transition trim over panel and allow back leg of trim to sit against the upper roof. Use a 3/4" stitch screw to mount trim to the ribs of the panel. Install upper roof panels using 1 1/2" wood screws to secure back leg of trim making sure to place an inside closure strip under panel before securing.

Product Description

CMS Gambrel is available in:

- 29 gauge painted steel
- 26 gauge painted steel
- 24 gauge painted steel
- 26 and 24 gauge Acrylume
- 29 gauge unpainted Galvanized

All trim is available in standard 10 foot lengths and can be custom made up to 20 feet.



Installation:

Lower roof panels must be installed before Gambrel can be installed. Place Gambrel trim over panel and allow back leg of trim to sit against the upper roof. Use a 3/4" stitch screw to mount trim to the ribs of the panel. Install upper roof panels using 1 1/2" wood screws to secure back leg of trim making sure to place an inside closure strip under panel before securing.

Product Description

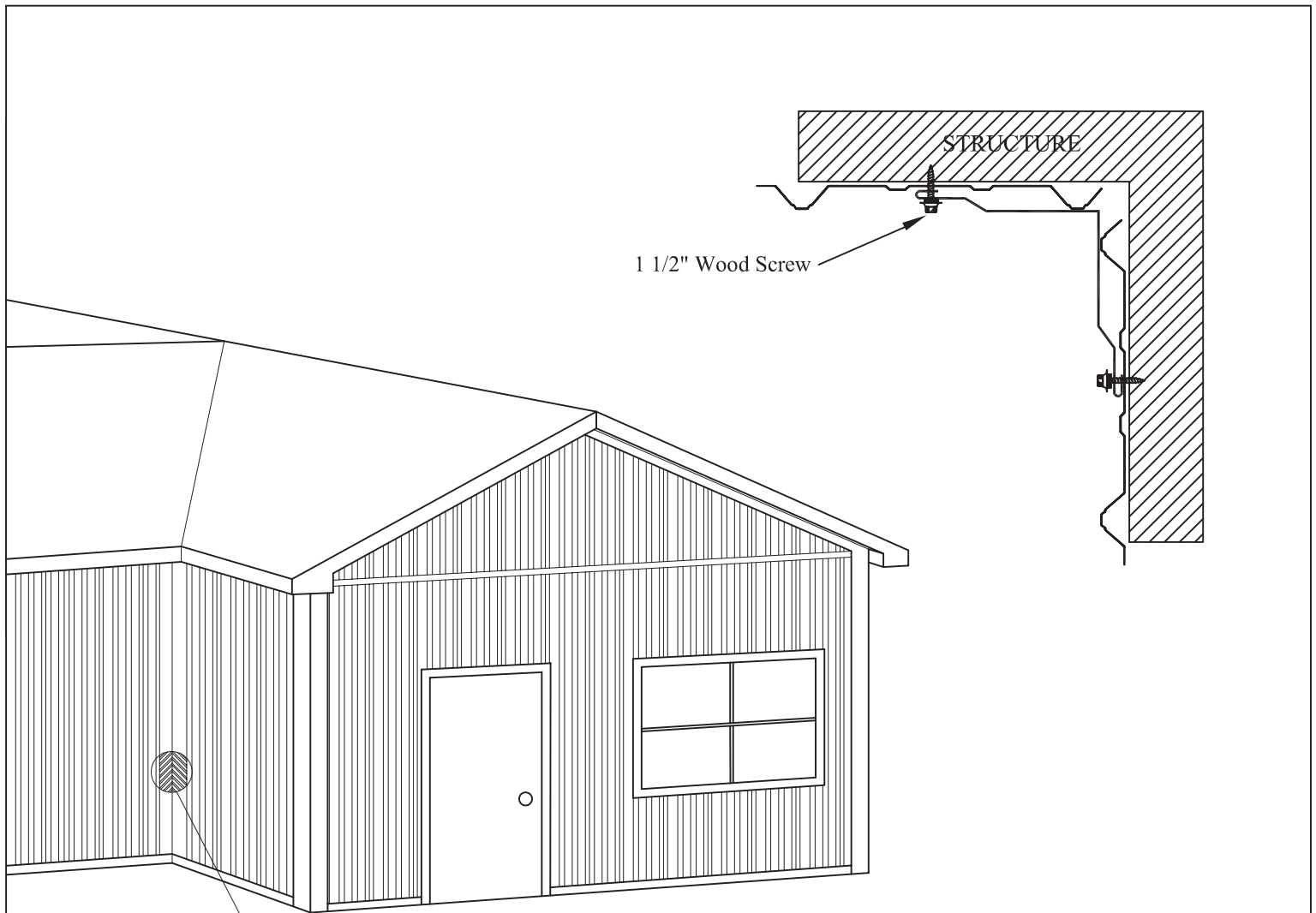
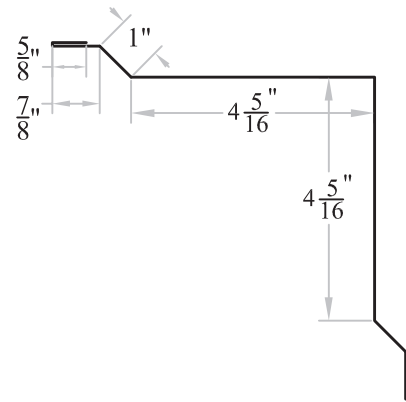
CMS Inside Corner is available in:

- 29 gauge painted steel
- 26 gauge painted steel
- 24 gauge painted steel
- 26 and 24 gauge Acrylume
- 29 gauge unpainted Galvanized

All trim is available in standard 10 foot lengths and can be custom made up to 20 feet.

14/7

13.625"



INSIDE CORNER

Installation:

Wall panels must be installed first before Inside Corner can be installed. Use 1 1/2" wood screws to secure trim to wall.

Product Description

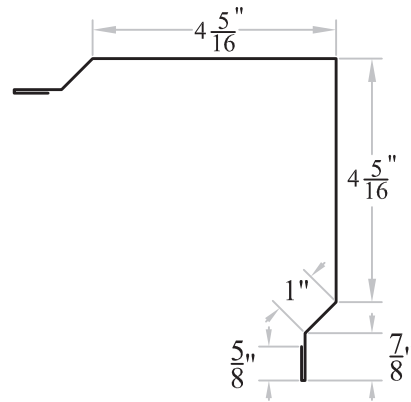
CMS Outside Corner is available in:

- 29 gauge painted steel
- 26 gauge painted steel
- 24 gauge painted steel
- 26 and 24 gauge Acrylume
- 29 gauge unpainted Galvanized

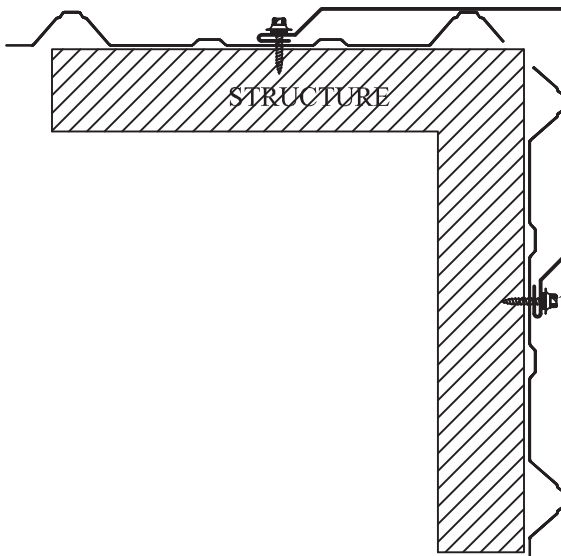
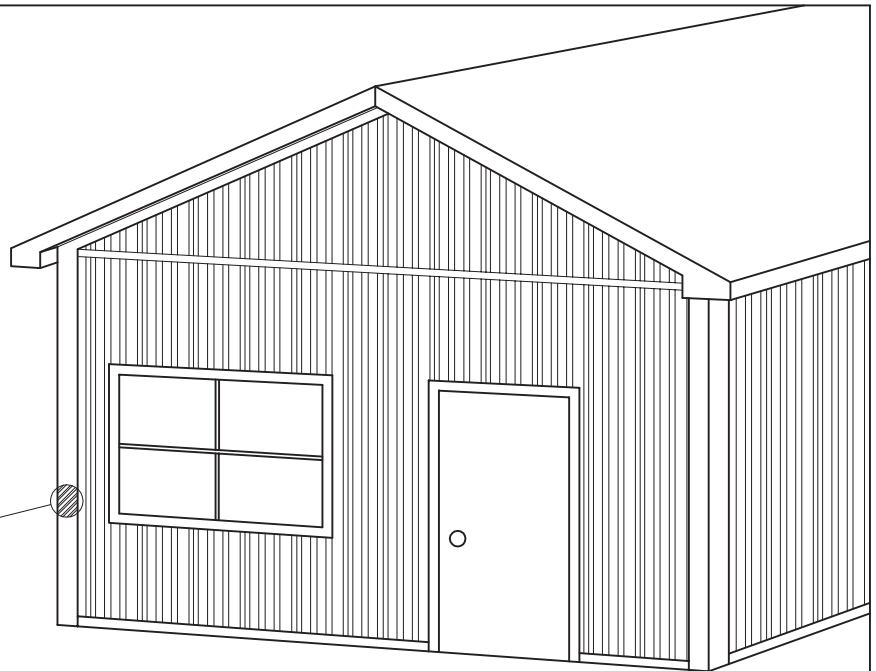
All trim is available in standard 10 foot lengths and can be custom made up to 20 feet.

14/7

13.625"



OUTSIDE CORNER



1 1/2" Wood Screw

Installation:

Wall panels must be installed first before Outside Corner can be installed. Use 1 1/2" wood screws to secure trim to wall.

Product Description

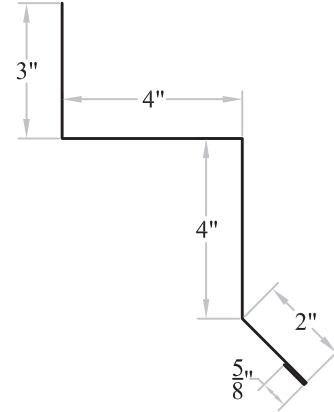
CMS Door Track Cover is available in:

- 29 gauge painted steel
- 26 gauge painted steel
- 24 gauge painted steel
- 26 and 24 gauge Acrylume
- 29 gauge unpainted Galvanized

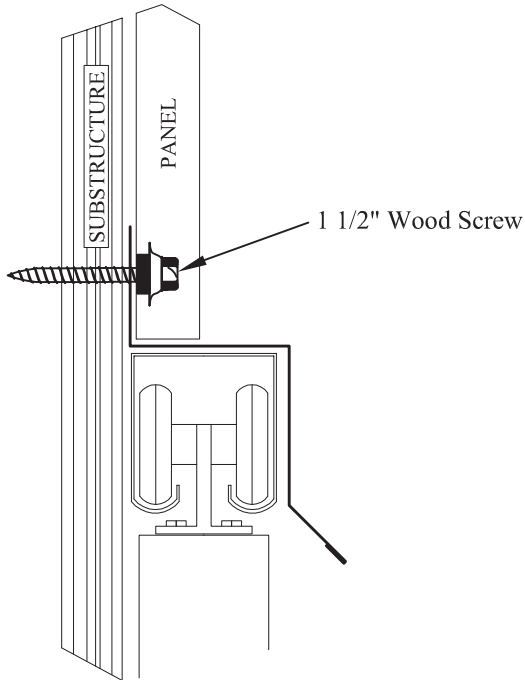
All trim is available in standard 10 foot lengths and can be custom made up to 20 feet.

14/4

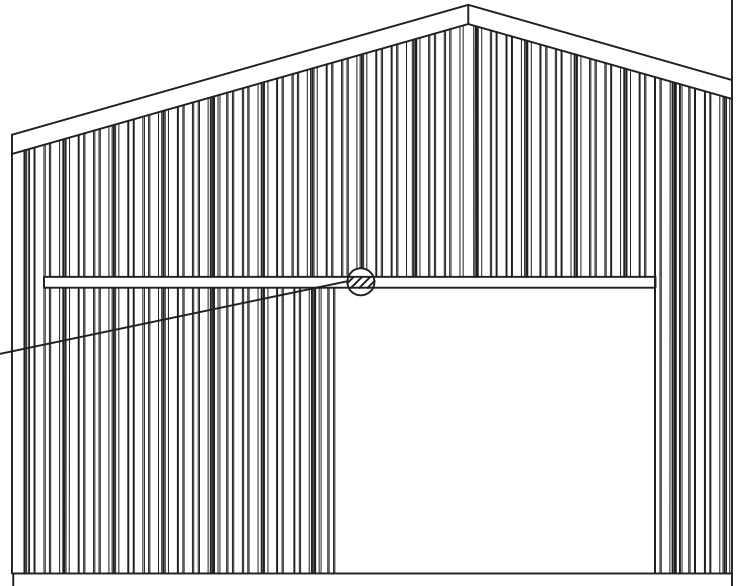
13.625"



Door Track Cover is intended to be used with a sliding door system.



DOOR TRACK COVER



Installation:

Door track cover is installed by using a 1 1/2" wood screw to fasten through panel, trim and into substructure.

Product Description

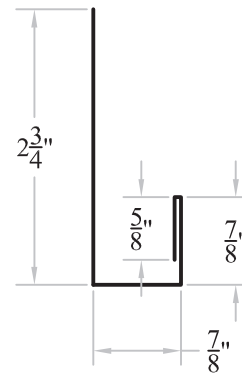
CMS Wall Trim is available in:

- 29 gauge painted steel
- 26 gauge painted steel
- 24 gauge painted steel
- 26 and 24 gauge Acrylume
- 29 gauge unpainted Galvanized

All trim is available in standard 10 foot lengths and can be custom made up to 20 feet.

6/3

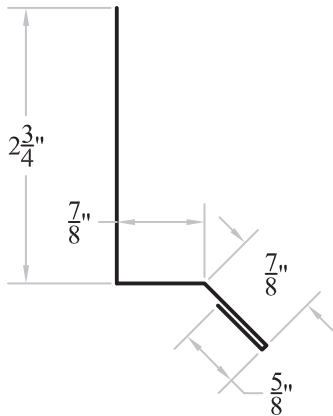
C-METAL



5.125"

6/3

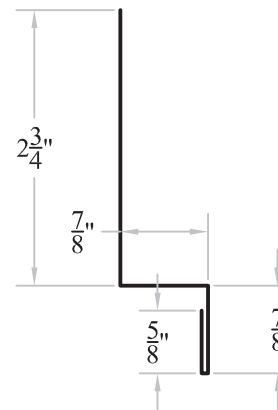
HEAD TRIM



5.125"

6/3

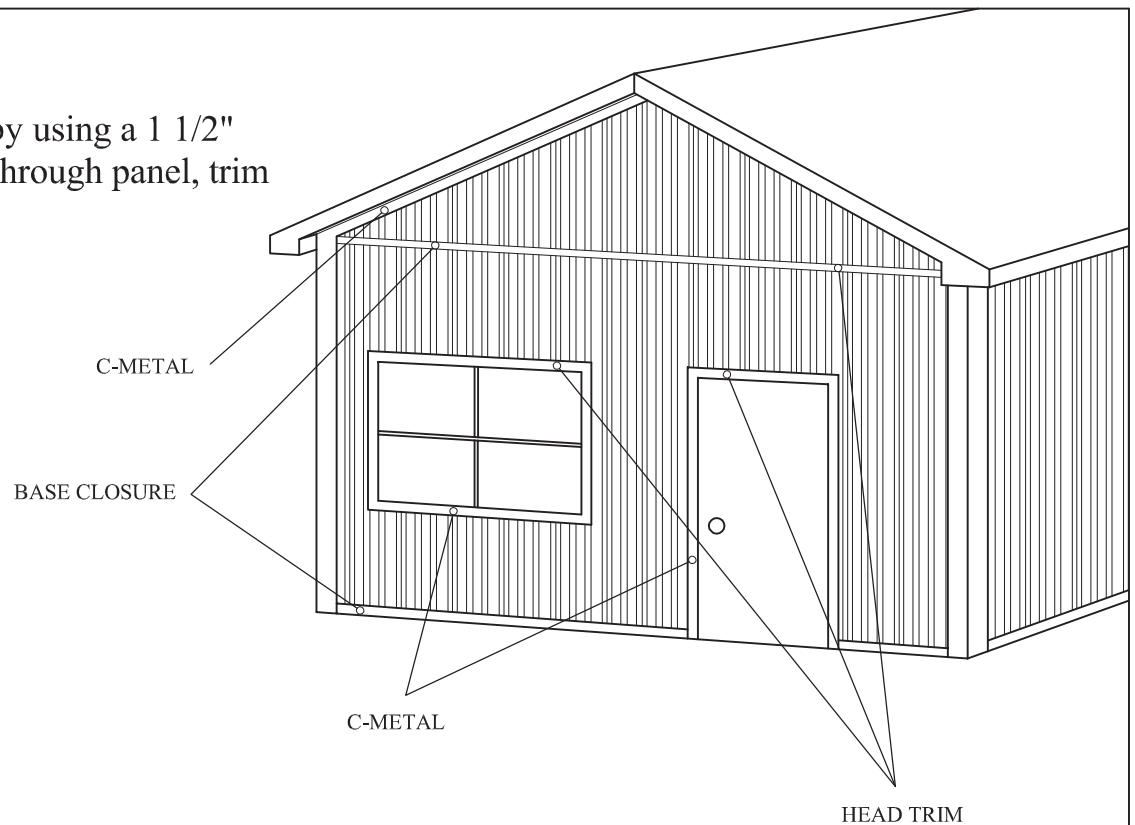
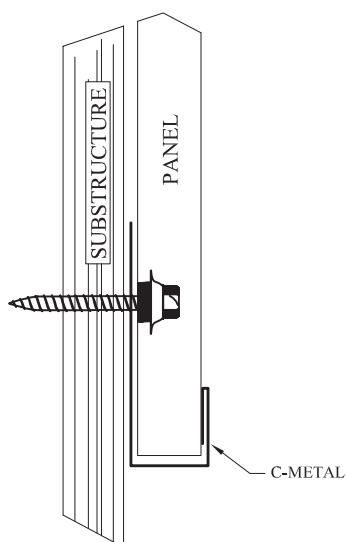
BASE CLOSURE



5.125"

Installation:

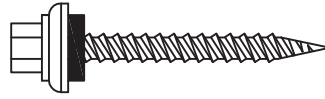
Wall trim is installed by using a 1 1/2" wood screw to fasten through panel, trim and into substructure.



FASTENER SELECTION

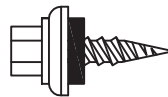


WOODGRIP™



APPLICATION:	FASTENING METAL TO WOOD					
SIZE:	9-16 W/ 1/4" HEX WASHER HEAD					250/BAG
STOCK LENGTHS:	GALVANIZED	1"	1.5"	2"	2.5"	3"
	29 GA. COLORS	1"	1.5"	2"	2.5"	
	24 GA. COLORS	1"	1.5"			

STITCH SCREWS



APPLICATION:	"STITCHING" METAL PANELS ON THE OVERLAP					
SIZE:	12-14 W/ 1/4" HEX WASHER HEAD					250/BAG
STOCK LENGTHS:	GALVANIZED	3/4"				
	29 GA. COLORS	3/4"				
	24 GA. COLORS	N/A	USE 3/4" METAL TEK			
					24 GA. COLORS	

METAL TEK SCREWS



APPLICATION:	FASTENING METAL TO METAL					
SIZE:	12-14 W/ 5/16" HEX WASHER HEAD					250/BAG
STOCK LENGTHS:	GALVANIZED	3/4"	7/8"	1"	1.5"	
	29 GA. COLORS	1.5"				
	24 GA. COLORS	3/4"				

WOODMAC™
(STAINLESS STEEL CAP)



APPLICATION:	FASTENING METAL TO WOOD					
SIZE:	9-16 W/ 1/4" HEX WASHER HEAD					250/BAG
STOCK LENGTHS:	1"	1.5"	2.5"			

* New standards for pressure treated lumber require the use of special fasteners in order to protect against corrosion.

* ACQ Wood screws are available upon request.

Product Warranty

The ASTM coating requirements for this product have been met.

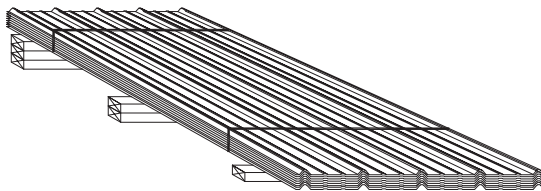
This warranty shall be subject to the stipulations, limitations, and conditions hereafter set forth:

1. Coastal Metal Service liability for breach of this warranty shall be limited exclusively to the cost of either repairing nonconforming sheets/panels, or at Coastal Metal Services sole option, of furnishing FOB Buyer's location sufficient sheet/panel replacements for the nonconforming sheet/panels.
2. Coastal Metal Service shall not in any event be liable for the cost of labor expended by others on any nonconforming sheet/panels or for any special, indirect or consequential damages to any one by reason of the fact that such sheet/panels shall have been nonconforming.
3. Coastal Metal Service shall not be responsible for any Galvanized product which displays "White Rust" storage stain or discoloration unless delivery documents clearly state the presence of such at time of delivery.
4. Coastal Metal Service shall not be responsible for the occurrence of "Premature Darkening Phenomenon" on any Galvanized products.
5. Coastal Metal Service offers no written or implied service life estimate of any galvanized sheet/panel.

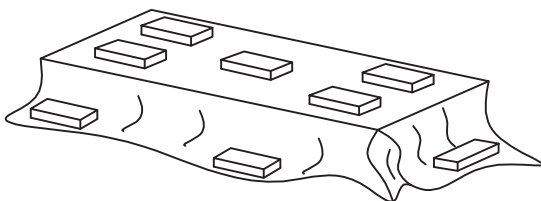
Special instructions: When panels are used for residential roofing we recommend that they be placed over 30 pound felt and a solid deck.

Must Keep Dry

When storing panels they **MUST** be elevated above the ground and on an **INCLINE**. This will allow any incidental moisture to run off the sheets.

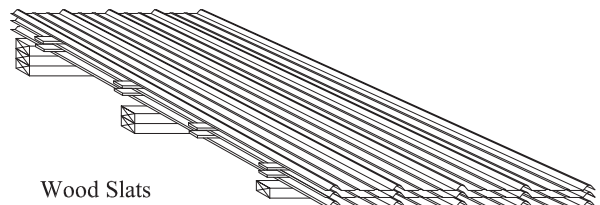


COVER LOOSELY WITH A TARPAULIN



Use scrap lumber or bricks to hold Tarpaulin in place. Air **MUST** be able to **CIRCULATE** around stored **MATERIAL**.

If storing panels for any extended length of time, the panels **MUST** be separated to allow air flow around each individual panel. This can be done by using wood slats to separate panels or by offsetting each panel as they are restacked.



Wood Slats



Stagger Panel Stacking

VERSION OCTOBER 2013



1602 HWY 117 BYPASS N
GOLDSBORO, NC 27530
Toll Free 888-267-6153
Phone 919-739-6153
Fax 919-705-1097

Website: <http://www.coastalmetalservice.com>
E-Mail: cms1@coastalmetalservice.com